



ronde

Ronde Series Direct/Indirect LED Luminaire

Client: _____
Project Name: _____

Order #: _____
Type: _____ Qty: _____

Performance Data

CRI

80+

CCT

3000K, 3500K, 4000K, 5000K

Projected Lifetime

133,000 Hours (L70);
84,000 Hours (L80)

Dimming

0-10V Dimming Standard

Operating Temperature

-30° to +45°C Ambient



10 Yr Warranty Including Labor	USA Buy American Act Compliant
---	---

Description

The Ronde Direct/Indirect interior architectural luminaire gives you the choice of form and mounting. Available with a straight or mono-point cable, the RNI luminaire will create an effect that will enhance the aesthetic of any space. The Ronde features a minimalist, modern design and is best suited for offices, lobbies, retail, schools, libraries, and themed spaces.

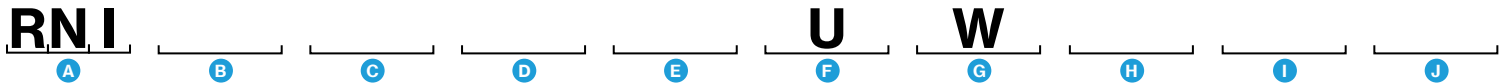
Features

PERFORMANCE

- Delivers up to 21,000 lumens direct / 17,000 lumens indirect
- Up to 90 lumens per watt
- 120-277V Universal Driver
- Power Factor > 0.90; THD < 20%

PHYSICAL

- Available in 2' to 5' diameters
- White acrylic diffuser lens provides soft, ambient illumination
- Housing is two-piece, die-formed, spun aluminum
- Gloss or Textured White finishes standard, custom colors available
- Fixture is to be mounted by straight or mono-point aircraft cables



Ordering Information

A FIXTURE SERIES

RNI	Ronde Direct /Indirect Series
-----	-------------------------------

B SIZE

2	2'
3	3'
4	4'
5	5'

C OUTPUT DOWN³

L	Low
M	Mid
H	High

D OUTPUT UP

L	Low
M	Mid
H	High

E CCT

30	3000K
35	3500K
40	4000K
50	5000K

F VOLTAGE

U 120-277V

G LENS TYPE

W White Acrylic Diffuser

H MOUNTING STYLE

Cx ²	Straight Cable
Px ²	Mono-Point Cable

I FINISH

M	Matte White
G	Gloss White
C	Custom ¹

J OPTIONS

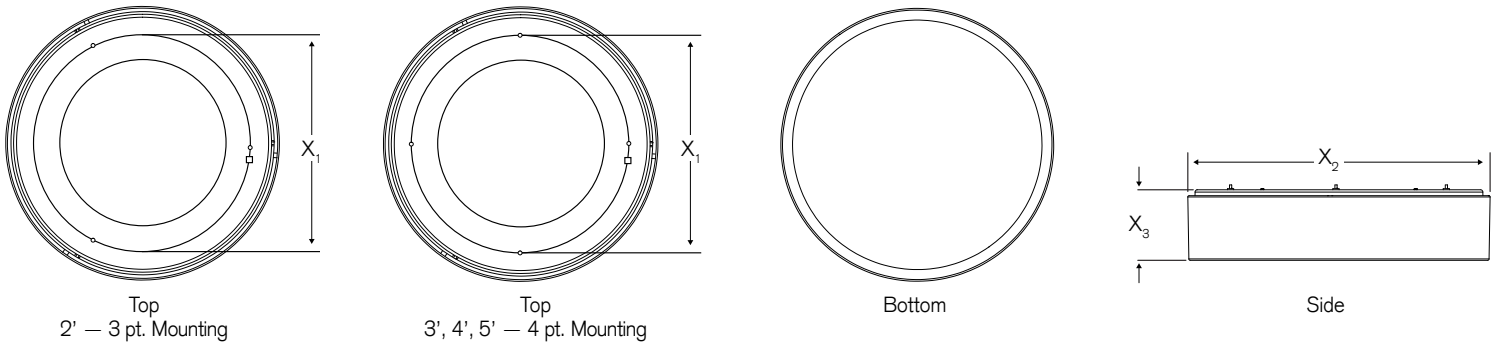
E	Emergency
K	Control Scope Connected

¹Contact factory regarding custom finishes and lead times

²"x" is a variable, see mounting abbreviation on Page 3

³Please reference Page 3 for list of output abbreviations for each fixture size

Dimensions

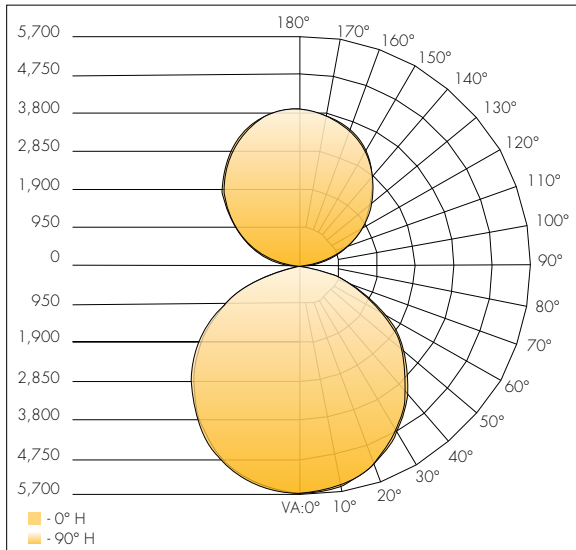


	2'	3'	4'	5'
Mounting, X₁	19.0"	26.0"	36.0"	47.0"
Diameter, X₂	26.4"	36.2"	47.2"	59.0"
Height, X₃	7.3"	8.5"	8.7"	9.1"
Weight (lbs)	55	85	110	135

Key	
	Power Feed for Straight Cable
	Mounting

Photometrics

RNI: 5', Mid Output Direct, Mid Output Indirect, 3500K



Zonal Lumen Summary

Zone	Lumens	% Luminaire
0-30	4,426.8	16.1%
0-40	7,254.7	26.4%
0-60	12,838.7	46.7%
60-90	3,311.1	12.1%
70-100	1,497.2	5.5%
90-120	2,313.0	8.4%
0-90	16,149.8	58.8%
90-180	11,320.1	41.2%
0-180	27,469.9	100%

Delivered Lumens: 27,470
CRI: 82

Coefficients of Utilization
Effective Floor Cavity Reflectance: 20%

RCC %:	80				70				50				30				10				0
RW %:	70	50	30	0	70	50	30	0	50	30	20	0	50	30	20	0	50	30	20	0	
RCR: 0	1.09	1.09	1.09	1.09	1.02	1.02	1.02	.59	.88	.88	.88	.76	.76	.76	.76	.64	.64	.64	.64	.59	
1	1.00	.95	.91	.88	.93	.89	.86	.50	.77	.75	.72	.67	.65	.63	.63	.57	.55	.54	.54	.49	
2	.91	.83	.77	.71	.84	.78	.72	.42	.68	.63	.60	.58	.55	.52	.52	.50	.47	.45	.45	.41	
3	.83	.73	.65	.59	.77	.68	.62	.36	.59	.54	.50	.51	.47	.44	.44	.44	.41	.38	.38	.35	
4	.75	.64	.56	.50	.70	.60	.53	.31	.53	.47	.42	.46	.41	.38	.38	.39	.36	.33	.33	.30	
5	.69	.57	.49	.43	.64	.54	.46	.27	.47	.41	.37	.41	.36	.33	.33	.35	.31	.29	.29	.26	
6	.64	.51	.43	.37	.59	.48	.41	.23	.42	.36	.32	.37	.32	.28	.28	.32	.28	.25	.25	.22	
7	.59	.46	.38	.32	.55	.44	.36	.21	.38	.32	.28	.34	.29	.25	.25	.29	.25	.22	.22	.20	
8	.55	.42	.34	.29	.51	.40	.32	.19	.35	.29	.25	.31	.26	.22	.22	.27	.23	.20	.20	.18	
9	.51	.38	.31	.26	.47	.36	.29	.17	.32	.26	.22	.28	.23	.20	.20	.24	.21	.18	.18	.16	
10	.48	.35	.28	.23	.44	.33	.27	.15	.30	.24	.20	.26	.21	.18	.18	.23	.19	.16	.16	.14	

Wattage/Lumen Output Chart:

Direct (Down) Lumen Chart

OUTPUT SELECTION	LOW	MID	HIGH
2'			
Abbreviation	BG	BX	CN
Nominal Wattage	40	55	80
Actual Wattage	39	55	81
Delivered Lumens	3120	4400	6480
3'			
Abbreviation	CN	C8	DU
Nominal Wattage	80	100	120
Actual Wattage	80	101	119
Delivered Lumens	6400	8080	9520
4'			
Abbreviation	DP	E0	GG
Nominal Wattage	115	160	210
Actual Wattage	115	157	211
Delivered Lumens	9200	12560	16880
5'			
Abbreviation	F6	G7	HY
Nominal Wattage	200	235	260
Actual Wattage	203	235	259
Delivered Lumens	16240	18800	20720

Indirect (Up) Lumen Chart

OUTPUT SELECTION	LOW	MID	HIGH
2'			
Abbreviation	AW	A1	BG
Nominal Wattage	20	25	40
Actual Wattage	19	25	40
Delivered Lumens	1520	2000	3200
3'			
Abbreviation	BG	BX	CN
Nominal Wattage	40	55	80
Actual Wattage	39	55	81
Delivered Lumens	3120	4400	6480
4'			
Abbreviation	CN	C8	DU
Nominal Wattage	80	100	120
Actual Wattage	80	101	119
Delivered Lumens	6400	8080	9520
5'			
Abbreviation	DP	E0	GG
Nominal Wattage	115	160	210
Actual Wattage	115	157	211
Delivered Lumens	9200	12560	16880

Lumen outputs shown are for 4000K. For other color temps, use the lumen factors below:

- 5000K: 1.10
- 4000K: 1.00
- 3500K: 0.90
- 3000K: 0.85

Mounting Length Options:

STRAIGHT CABLE		MONO-POINT CABLE	
ABBREV.	LENGTH	ABBREV.	LENGTH
CA	24"	PA	24"
CB	48"	PB	48"
CD	60"	PD	60"
CF	72"	PF	72"
CG	96"	PG	96"
CH	120"	PH	120"
CJ	150"	PJ	150"
CK	180"	PK	180"
CL	240"	PL	240"
		PP	Mono-point only