



IMPORTANT SAFETY INSTRUCTIONS

1. Read carefully before installing fixture. Retain for future reference.

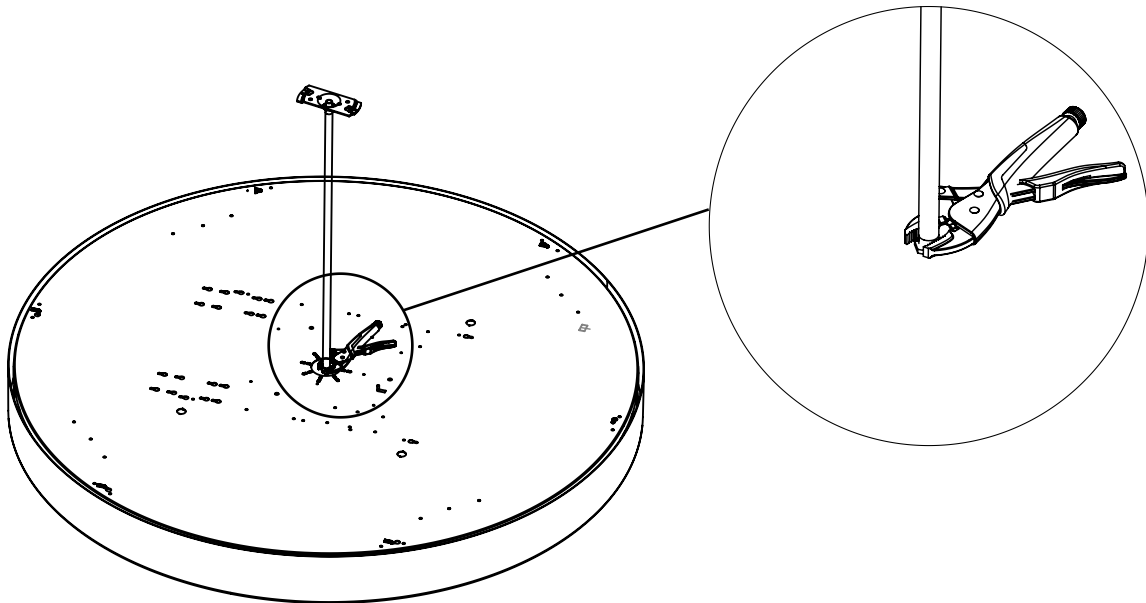
WARNING To prevent electrical shock, turn off electricity at fuse box before proceeding.

2. Failure to follow instructions may result in serious injury or death.

3. Upon receipt the fixture, thoroughly inspect for any freight damage which should be brought to the attention of the delivery carrier. Compare the catalog description listed on the package slip with the fixture label on the housing to assure you have received material.

4. This fixture must be wired in accordance with the international electrical code and applicable local codes and ordinances. Proper grounding is required to insure personal safety. Carefully observe the correct grounding procedure under installation section.

*Deco Digital assumes no responsibility for claims arising out of improper or careless handling or installation of this product.



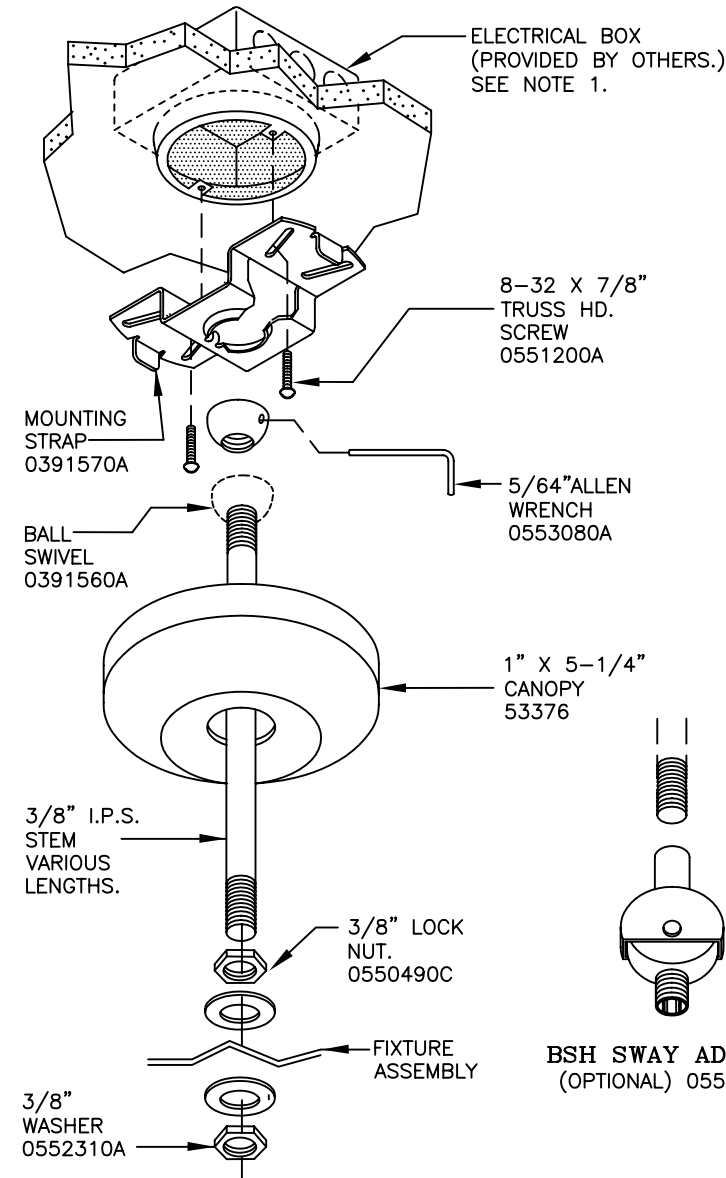
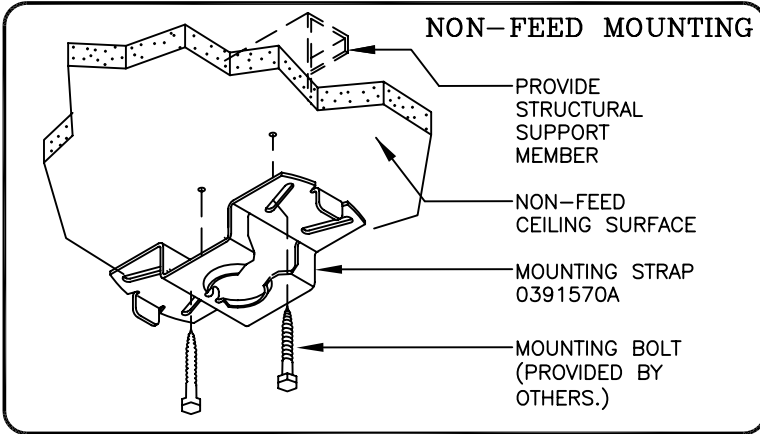
1. Attach the stem to cover. Do not over tighten stem, this may cause pinched wires.

2. Using pliers, securely tighten lock nut. Stem must be securely tightened and unable to spin loose.

ROUND-LED

Stem Mounting 2', 3', 4' & 5'

Installation Guide



SUPPORTS MAXIMUM WEIGHT OF 50 LBS.

NOTE 1.
MOUNTING STRAP #0391570A, WILL ACCOMMODATE A 3", & 4" OCTAGONAL ELECTRICAL BOX, OR A 4" SQUARE BOX WITH PLASTER RING.

- STEP 1** USE (2) #8-32 X 7/8" SCREWS TO ATTACH MOUNTING STRAP TO ELECTRICAL BOX.
- STEP 2** SCREW BALL SWIVEL TO ONE END OF THREADED STEM. SECURE IN PLACE WITH SET SCREW. INSERT OTHER END OF STEM THROUGH HOLE IN CANOPY AND FASTEN TO FIXTURE WITH 3/8" I.P.S. LOCK NUTS AND WASHERS PROVIDED.
- STEP 3** RUN WIRES THROUGH STEM AND RAISE FIXTURE ASSEMBLY TO CEILING. INSERT BALL SWIVEL INTO MOUNTING STRAP.
- STEP 4** MAKE ALL NECESSARY WIRING CONNECTIONS PER NATIONAL AND LOCAL BUILDING CODE REQUIREMENTS. HAND PRESS CANOPY ONTO MOUNTING STRAP.

PARTS LIST		
0551200A	#8-32 X 7/8" TRUSS HD. MACHINE SCREW	2
0391570A	#14 GAUGE MOUNTING STRAP	1
0391560A	3/8" I.S.P. BALL SWIVEL	1
0553080A	5/64" ALLEN WRENCH	1
53376	1" X 5-1/4" DIAMETER CANOPY	1
0552310A	3/8" X 7/8" PLAIN WASHER	2
0550490C	3/8" LOCK NUT	2
0531680A	BSH SWAY ADAPTER (OPTIONAL)	1
3/8" I.P.S. THREADED STEM (VARIOUS LENGTHS)		
0531440A	6" LONG THREADED ENDS	
0531460A	12" LONG THREADED ENDS	
0531480A	18" LONG THREADED ENDS	
0531490A	24" LONG THREADED ENDS	
0531500A	30" LONG THREADED ENDS	
0531510A	36" LONG THREADED ENDS	
0531540A	48" LONG THREADED ENDS	
0531580A	60" LONG THREADED ENDS	
0531590A	72" LONG THREADED ENDS	
0531610A	96" LONG THREADED ENDS	

Deco Lighting practices a program of continuous product improvement, and as a result product specifications change frequently. We reserve the right to change product specifications without notice. Contact Deco for the latest product information.