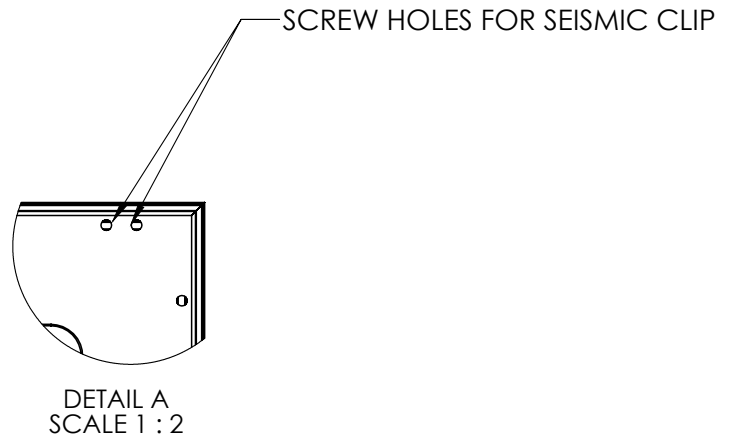
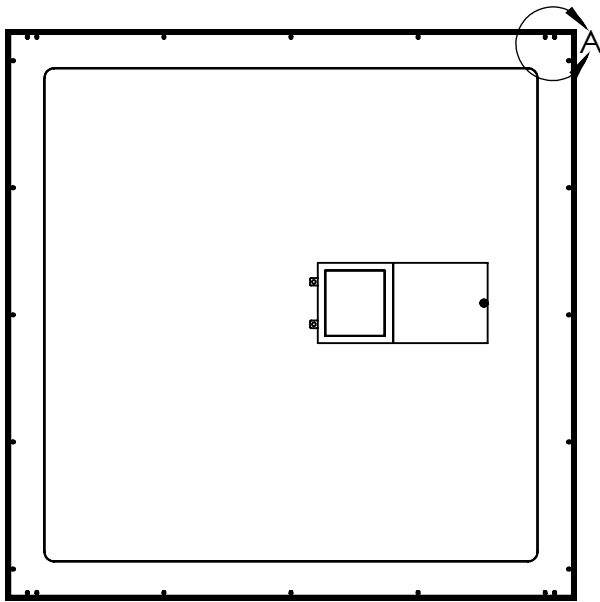


# SFP-LED

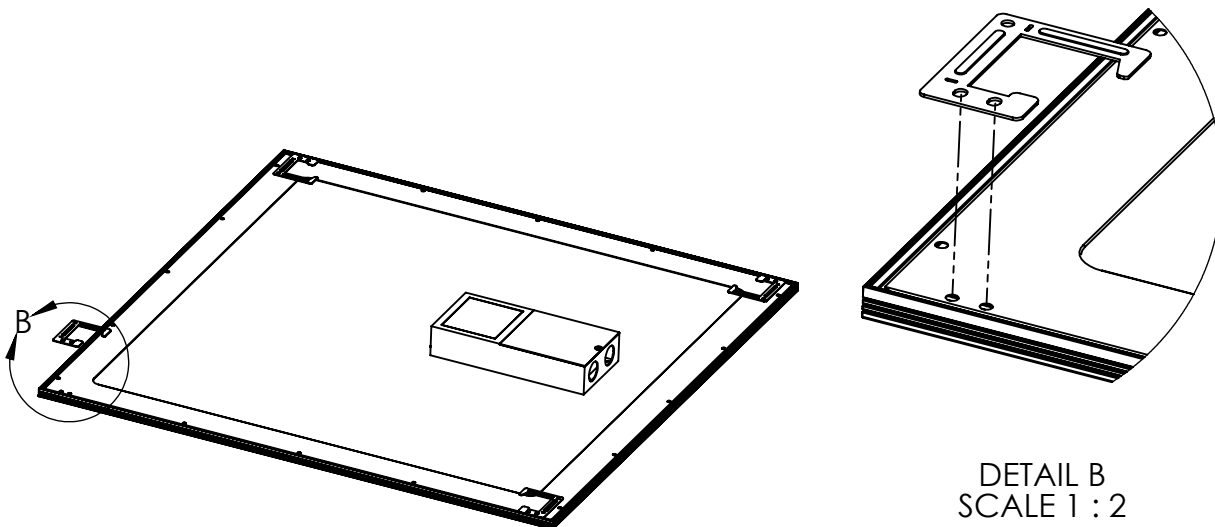
## Seismic Clips

# Installation Guide

1. Lay panel face down on a clean surface.
2. Remove two adjacent screws from each corner along the edge.



3. Place seismic clip on panel, aligning holes with screw holes on the panel.



4. Reinstall the screws- do not over tighten.

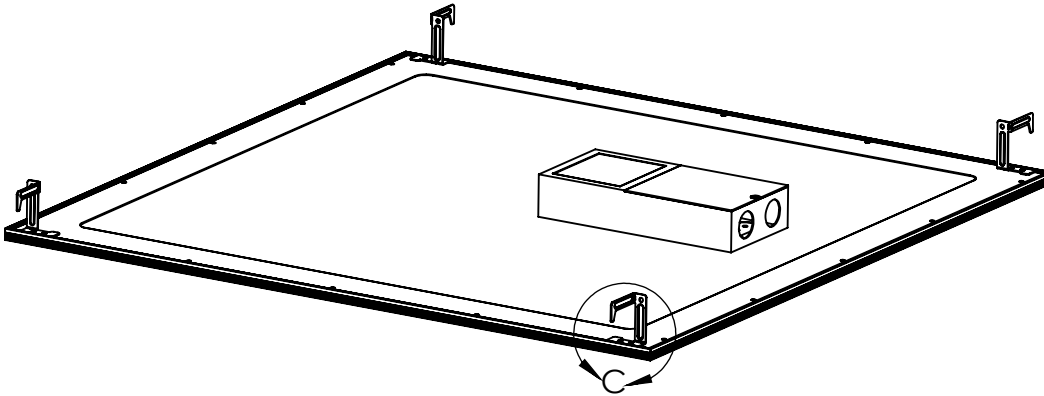
Deco Lighting practices a program of continuous product improvement, and as a result product specifications change frequently. We reserve the right to change product specifications without notice. Contact Deco for the latest product information.

# SFP-LED

## Seismic Clips

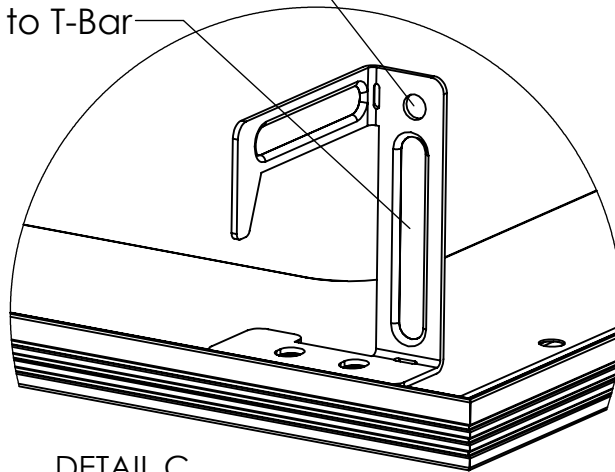
### Installation Guide

5. Bend seismic clips upward so that they are perpendicular to the back of the panel.
6. Panel can now be installed as per national and local electrical codes.



Hole for structural wire

Slot can be used to screw panel to T-Bar



DETAIL C  
SCALE 1 : 1