



DECO | LIGHTING

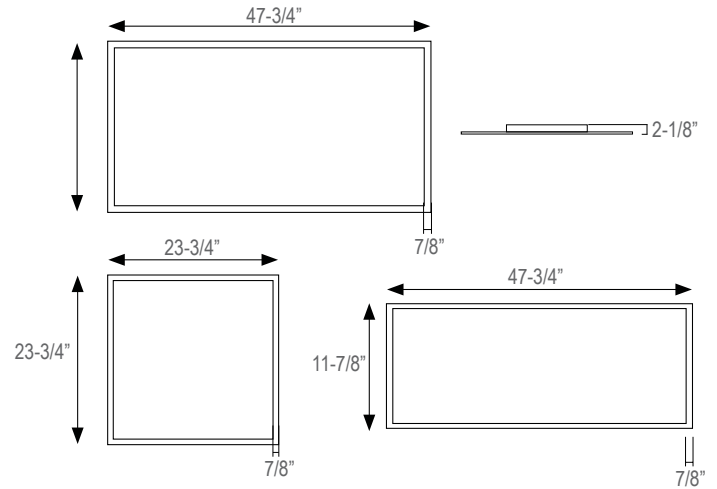
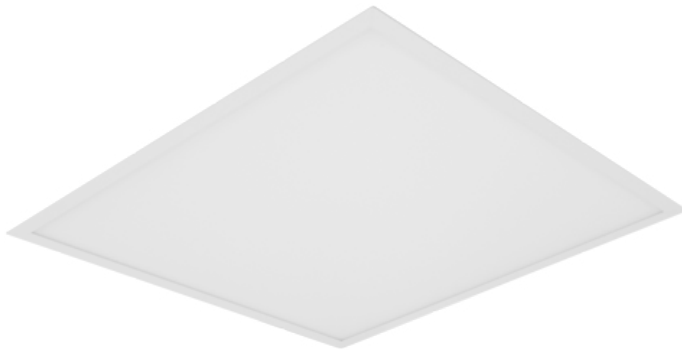
SFP-LED

Smart Panel LED Fixture



Job Information

Type:	
Catalog #:	
Project:	
Comments:	
Prepared by:	



Description

SFP-LED is an LED troffer luminaire designed for installation in 1x4, 2x2 and 2x4 conventional suspended grid ceilings for new construction or retrofit projects. Featuring superior, evenly dispersed lighting that sets the standard in performance for solid state ceiling luminaires, the SFP can also significantly reduce the number of fixtures needed to light a given area. Custom fixture and power supply kit design allows for quick and easy installation, reducing costly labor time. The superior thermal design will extend both the life of the fixture and power supply. While still emitting 70% of the original light output after more than 100,000 hours, SFP-LED will last many years without the need for costly replacement or maintenance.

Ordering Information

Example: (SFP-LED-24-40-40-UNV-EM)

SFP-LED

Series	Size	Wattage/Lumen	Color Temp.	Voltage	Options			
Smart Flat Panel LED Fixture	14 1'x 4'	20	20W/2019 ^{1,2}	30	3000K	UNV 120-277V	SMK EM	Surface Mount Kit Emergency Backup
		30	30W/2827 ^{1,2}	35	3500K			
		40	40W/4268 ^{1,2}	40	4000K			
	22 2'x 2'	20	20W/2061 ^{1,2}				C60	60" Adjustable Pendant Mount Cable ³
		30	30W/3056 ^{1,2}					
		40	40W/4661 ^{1,2}					
	24 2'x 4'	20	20W/2045 ¹					
		30	30W/2909 ^{1,2}					
		40	40W/4334 ^{1,2}					

¹Delivered Lumens (4000K) - Please see Page 2 for full lumen chart.

²DLC Listed Wattage, View Page 2 for DLC Matrix breakdown by color temp

and wattage

³ Consult Factory for any length greater than 60"



Deco Lighting practices a program of continuous product development, and as a result product specifications change frequently. We reserve the right to change product specifications without notice. Contact Deco for the latest product information.

©2018 Deco Lighting, www.getdeco.com T: (800) 613-DECO F: (310) 366-6855
Rev Date: 01/19/18 #8

Digitize your light.®

Features

- Recommended for offices, schools, hospitals, medical facilities and other commercial and institutional applications
- Finished Color: White and Silver
- Housing: Extruded aluminum frame
- Lens Type: Frosted polycarbonate diffuser
- Choose the perfect lumen output using Select-a-Watt Technology
- IP44 damp location rated
- 0-10V dimming standard
- CRI 85; Beam Angle 120°
- Package includes seismic clip kit and install instructions
- Power Factor: 0.994; Total Harmonic Distortion: 7.75%
- Operating Temperature: -20°C - +40°C (-4°F - +104°F)
- UL and cUL Listed for Insulation Contact (IC)
- CCEA (Chicago Plenum) compliant
- CE Listed, RoHS compliant
- DLC Listed for utility rebates (See matrix below)

DLC Listing

	1x4			2X2			2X4		
	20W	30W	40W	20W	30W	40W	20W	30W	40W
3000K	X	X	X	X	X	X		X	X
3500K	X	X	X	X	X	X		X	X
4000K	X	X	X	X	X	X		X	X
5000K	X	X	X	X	X	X		X	X

Lumen Output

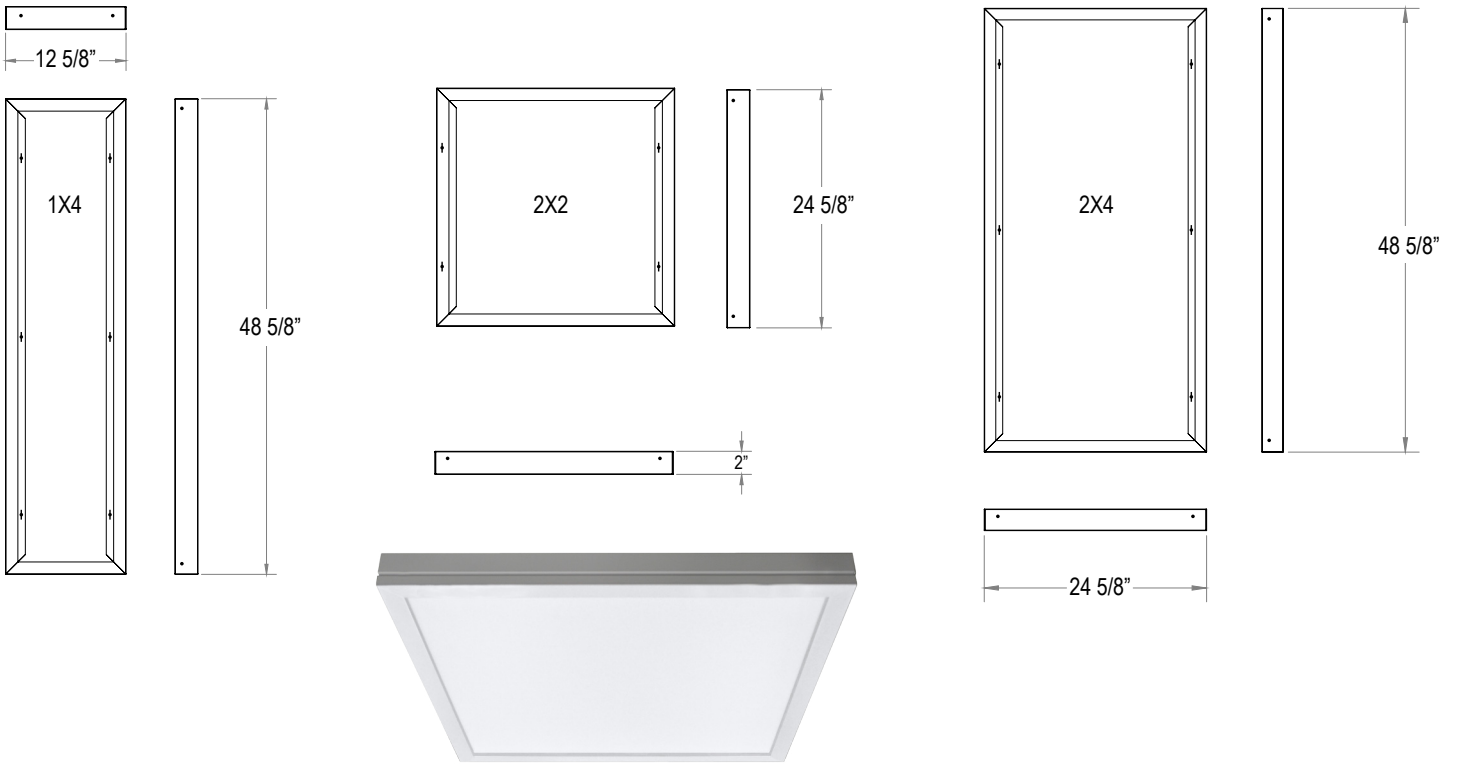
Lumen Chart										
Fixture Size	Nominal Wattage	System Wattage	5000K	LPW	4000K	LPW	3500K	LPW	3000K	LPW
1x4	20	18.3	2110	115	2019	110	1973	108	1927	105
	30	25.7	2956	115	2827	110	2776	108	2699	105
	40	38.8	4462	115	4268	110	4190	108	4074	105
2x2	20	17.4	2154	123	2061	118	2014	115	1967	112
	30	25.9	3186	123	3056	118	2979	115	2901	112
	40	39.5	4859	123	4661	118	4543	115	4424	112
2x4	20	18.4	2137	115	2045	110	1998	108	1952	105
	30	26.6	3041	115	2909	110	2843	108	2777	105
	40	39.4	4531	115	4334	110	4225	108	4137	105

*Lumen outputs are based on 3000K performance data and then scaled to other color temperatures

Projected LED Maintenance

Operating Hours	0	25,000	50,000	75,000	100,000
Lumen Maintenance Factor	25°C Ambient Interior Temp (77°F)				
	1	0.92	0.84	0.78	0.71
	45°C Ambient Interior Temp (113°F)				
	1	0.92	0.83	0.77	0.70

Surface Mount Kit (SMK) Dimensions



Panel Detail

