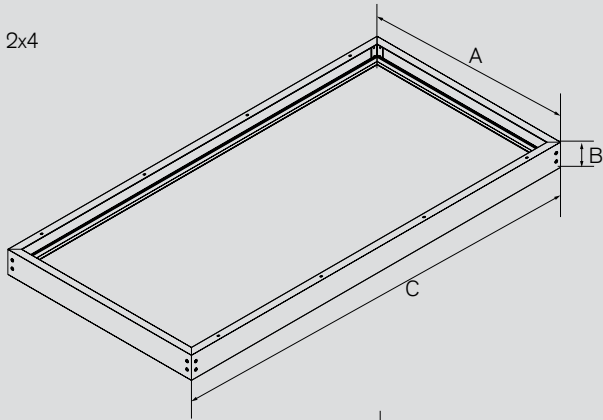




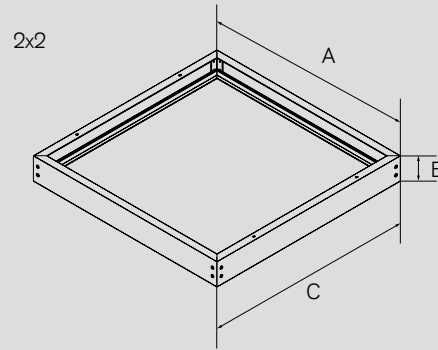
U-SMK

Universal Surface Mount Kit for CFP/SFP

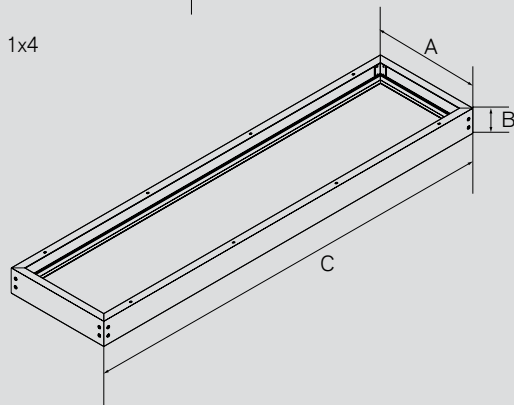
Client: _____ Order #: _____
Project Name: _____ Type: _____ Qty: _____



Dimensions	
A	23.90"
B	2.83"
C	47.91"



Dimensions	
A	23.90"
B	2.83"
C	23.90"



Dimensions	
A	12.00"
B	2.83"
C	47.91"

U-SMK

Ordering Information

A STYLE

U-SMK Universal Surface Mount Kit

B SIZE

14	1 x 4'
22	2 x 2'
24	2 x 4'