

# Skyler

## Volumetric Flat Panel Luminaire

# Installation Instructions

## IMPORTANT SAFETY INSTRUCTIONS

1. Read carefully before installing fixture. Retain for future reference.

**WARNING** To prevent electrical shock, turn off electricity at fuse box before proceeding.

This equipment is intended to be installed only by qualified personnel. The installation must be made in accordance with the current edition to the National Electric Code and all applicable state and local building codes. The final installation must be approved by the appropriate qualified electrical/building inspector(s). Improper installation may result in a fire or electrical hazard. Be sure the electrical power to the circuit has been disconnected before installing this electrical system.

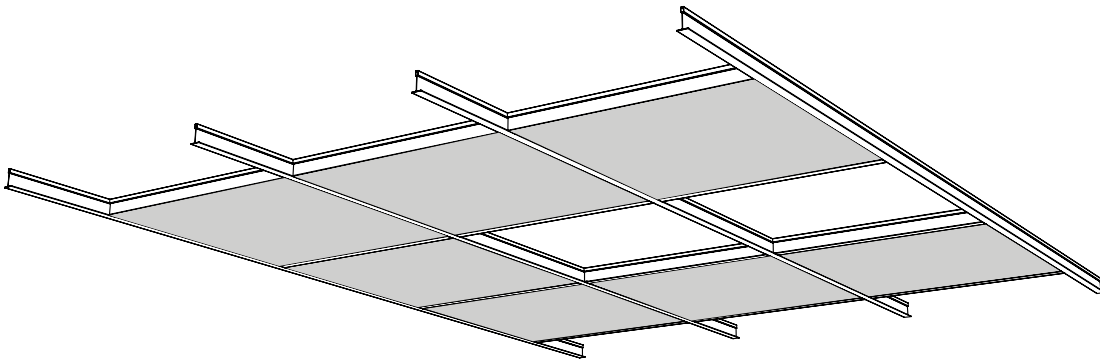
1. Review the diagrams thoroughly and disconnect all electrical power before installation to avoid electric shock.
2. Do not mount near flammable materials or electric heaters.
3. Do not let power supply cords touch hot surface.
4. Fixture is for indoor and damp location, Do not use for outdoor location.
5. The fixture shall be installed or maintained by qualified electrician or person who is familiar with the luminaires.

The Skyler recessed luminaire is designed to be installed in 2x2 and 2x4 recessed t-bar ceilings, and is suitable for 15/16", 9/16", and 9/16" screw slot ceiling types.

## Installation Instructions

### 1. Prepare ceiling

- Remove tile where the luminaire will be located, and the tiles adjacent.



- Ensure that power is fed to the luminaire location, following local and national electrical codes.
- Ensure that the ceiling grid has sufficient support. Iron structural wire must tie the grid to structure above, following local and national building codes, and grid manufacturer specifications.

*Deco Lighting practices a program of continuous product improvement, and as a result product specifications change frequently. We reserve the right to change product specifications without notice. Contact Deco for the latest product information.*

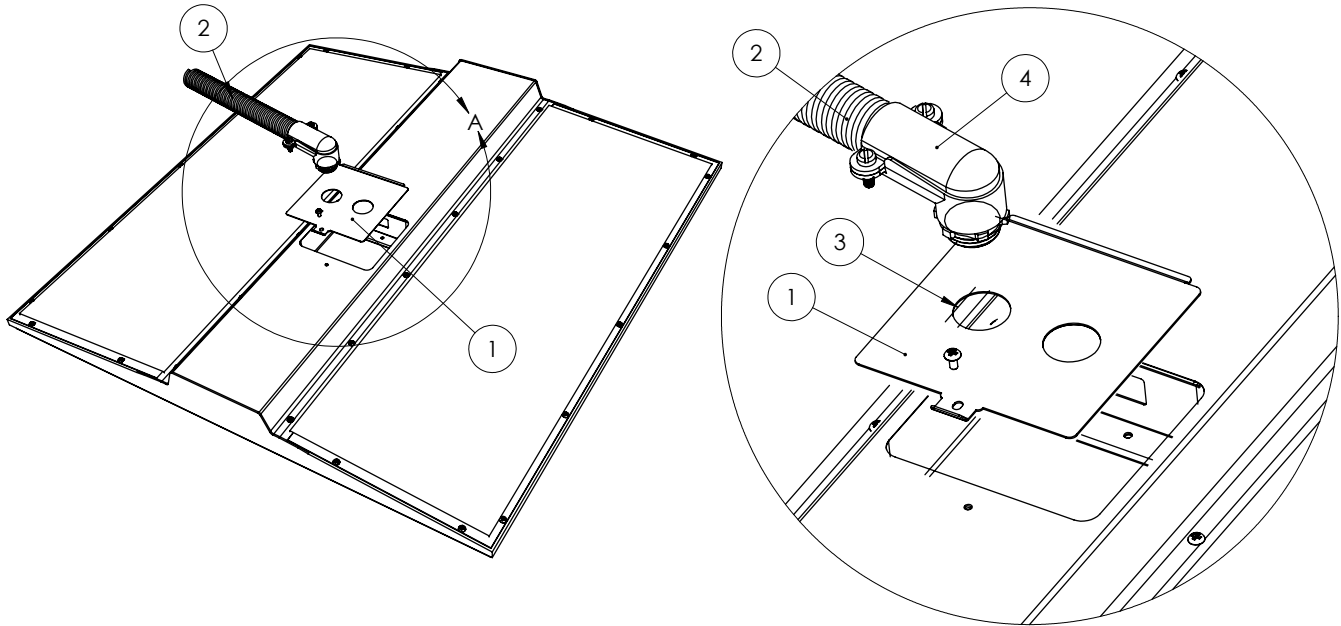
**DECO** | LIGHTING 2917 Vail Ave., Commerce, CA 90040 • (800)613-DECO (3326) • info@getdeco.com www.getdeco.com

# Skyler

## Volumetric Flat Panel Luminaire

# Installation Instructions

### 2. Connect power to luminaire.

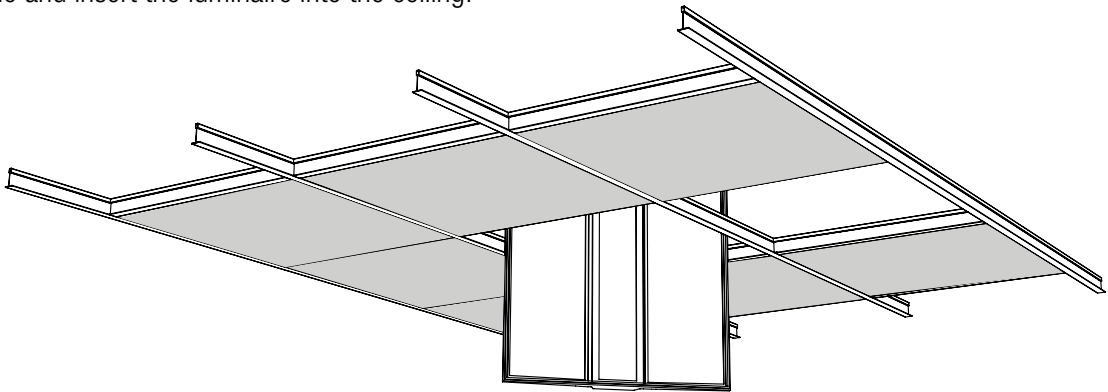


DETAIL A  
SCALE 1 : 2

1. Remove knockout plate (1) from the top of the luminaire. Pull flex conduit (2) out of ceiling through the opening where the luminaire will be installed.
2. Remove knockout (3) and connect flex conduit to the opening using appropriate hardware (4, by others)
3. Make electrical connections in the luminaire, following local and national electrical codes.
4. Reinstall knockout plate (1) on luminaire.

### 3. Install Luminaire.

- Bend up seismic clips from the back of the luminaire.
- Lift luminaire up an angle and insert the luminaire into the ceiling.



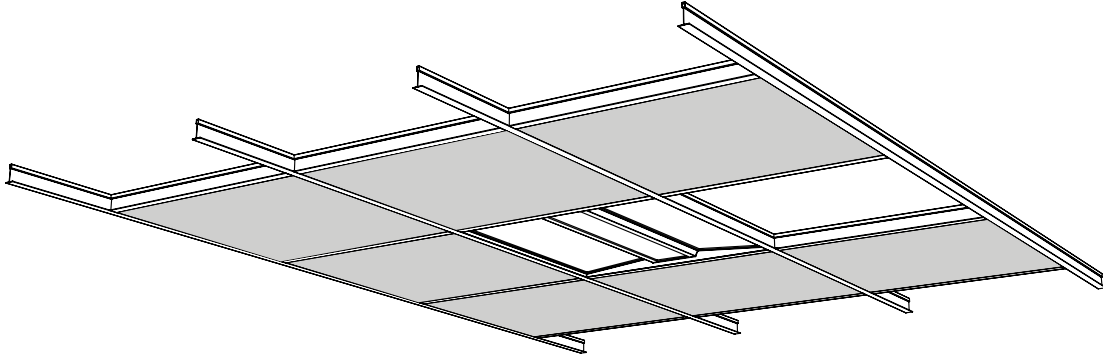
Deco Lighting practices a program of continuous product improvement, and as a result product specifications change frequently. We reserve the right to change product specifications without notice. Contact Deco for the latest product information.

# Skyler

## Volumetric Flat Panel Luminaire

# Installation Instructions

- Lay the luminaire in the opening in the ceiling. The seismic clips should slip over the top of the t-bar grid.



- Tie luminaire to structure using 4 iron structural wires (by others). Feed wire through openings in the seismic clips, and twist to tighten until luminaire is properly supported by the iron structural wire.
- If building location is in a jurisdiction with seismic requirements, fasten seismic clips to the t-bar using sheet metal screws (by others)
- Energize the luminaire to ensure that electrical connections are correct.
- Re-install adjacent ceiling tiles.

