

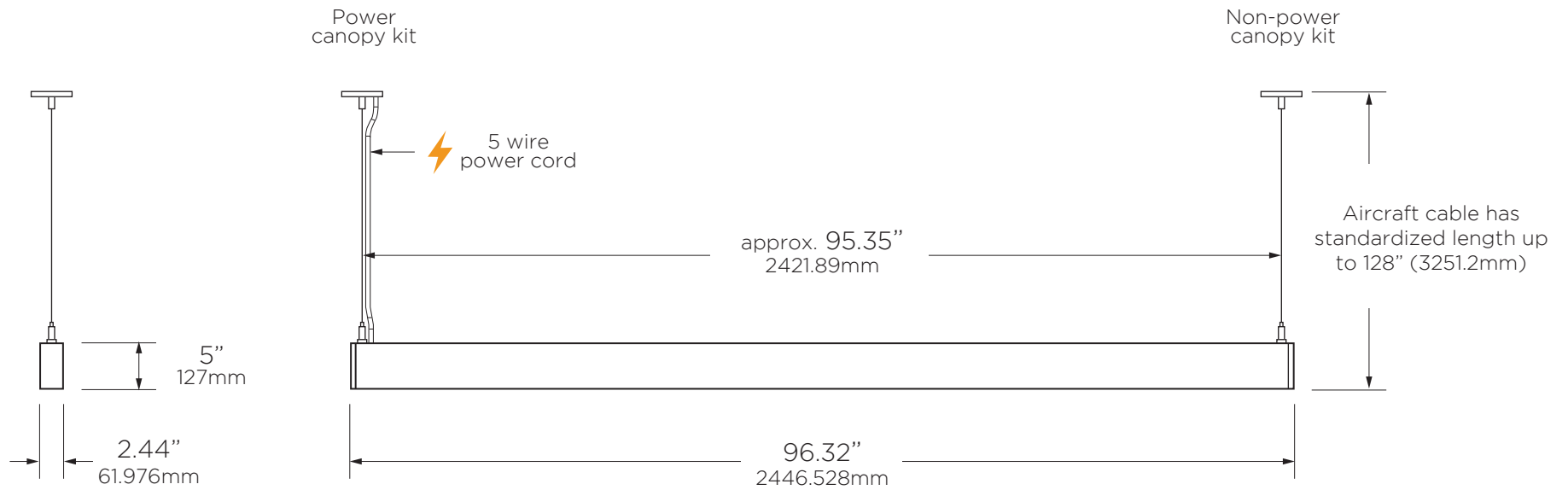
SUBMITTAL DRAWING - 8' STANDALONE TYPE 8

VECTOR™

8' Standalone Unit

CLIENT _____ **PROJECT** _____

NUMBER _____ **TYPE** _____ **- 8** **QTY** _____



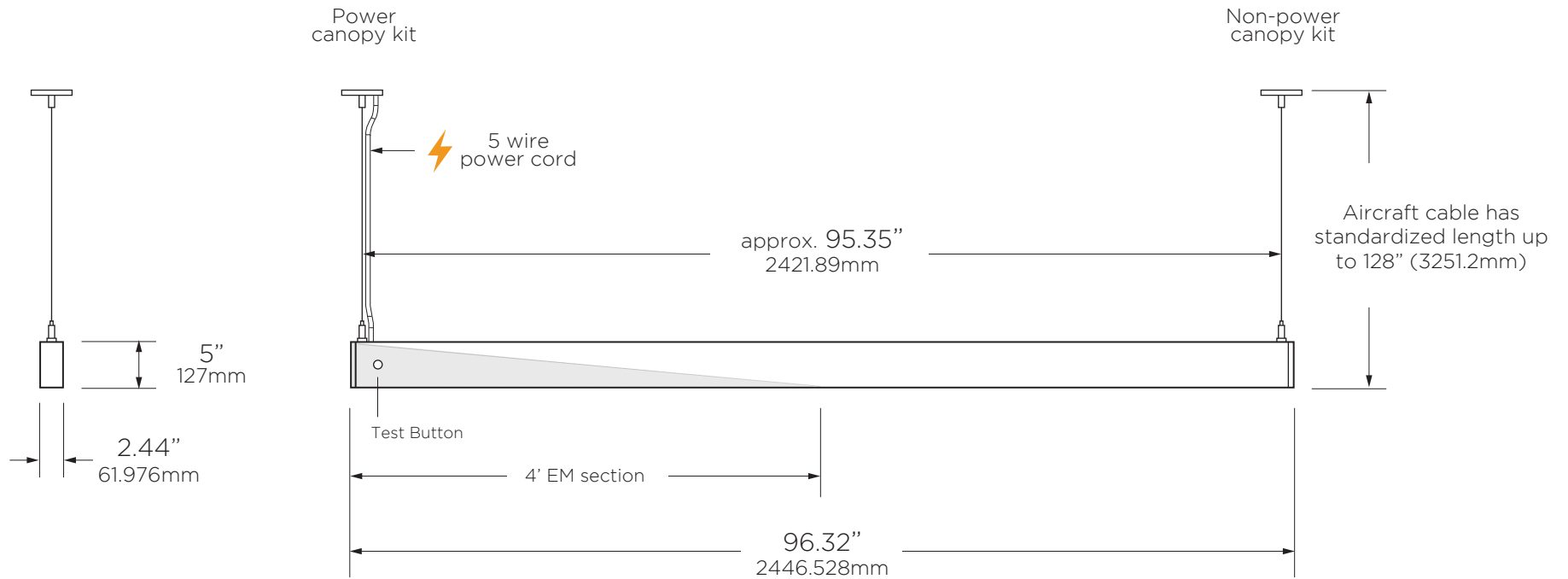
SUBMITTAL DRAWING - 8' STANDALONE TYPE 8 / EM

VECTOR™

8' Standalone Unit

CLIENT _____ **PROJECT** _____

NUMBER _____ **TYPE** _____ - 8 / EM **QTY** _____



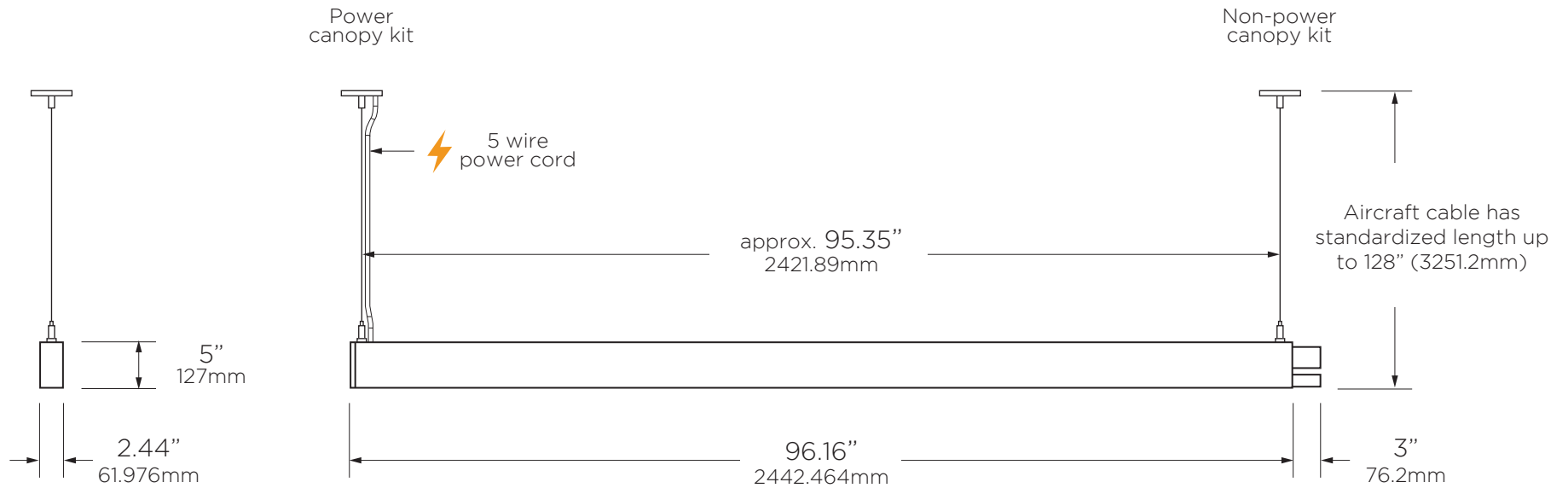
SUBMITTAL DRAWING - 8' FIRST TYPE 8A

VECTOR™

8' First of Run Unit

CLIENT _____ **PROJECT** _____

NUMBER _____ **TYPE** _____ - 8A **QTY** _____



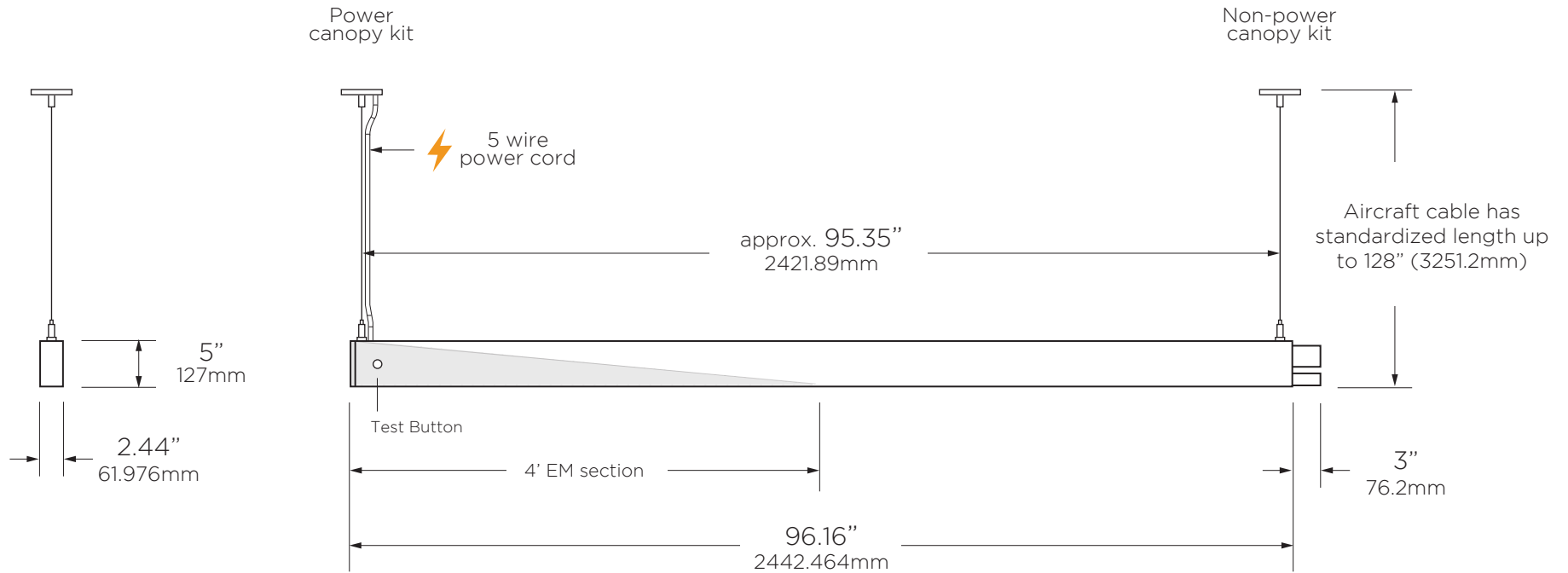
SUBMITTAL DRAWING - 8' FIRST TYPE 8A / EM1

VECTOR™

8' First of Run Unit

CLIENT _____ **PROJECT** _____

NUMBER _____ **TYPE** _____ - 8A / EM1 **QTY** _____



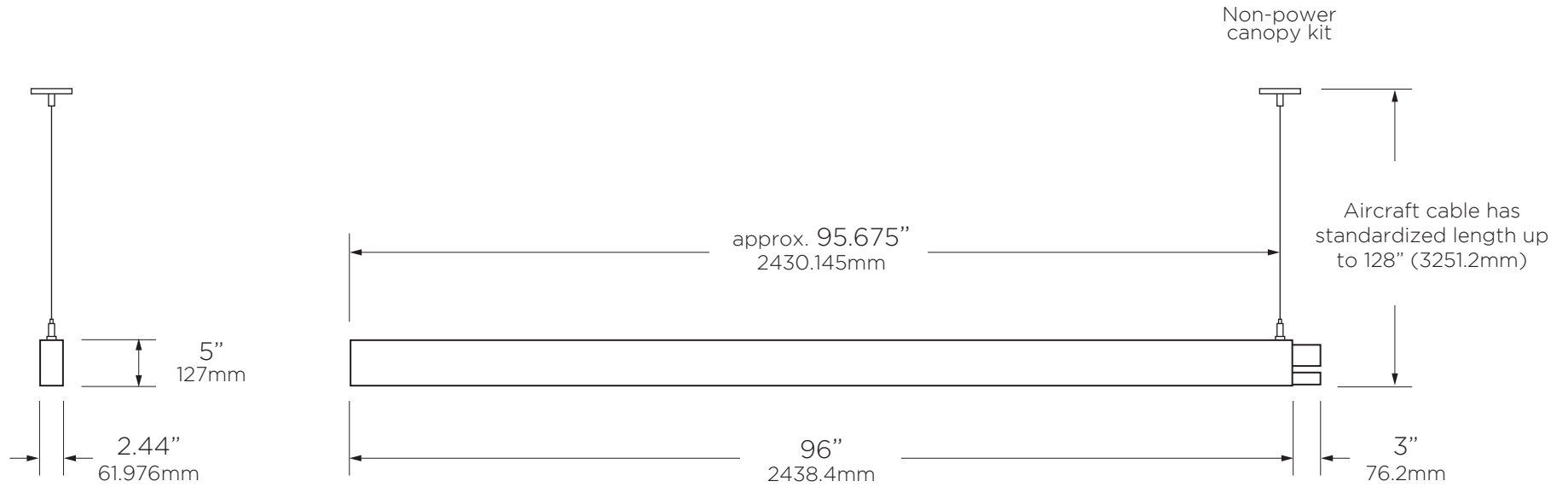
SUBMITTAL DRAWING - 8' MIDDLE TYPE 8B

VECTOR™

8' Middle of Run Unit

CLIENT _____ **PROJECT** _____

NUMBER _____ **TYPE** _____ - 8B **QTY** _____



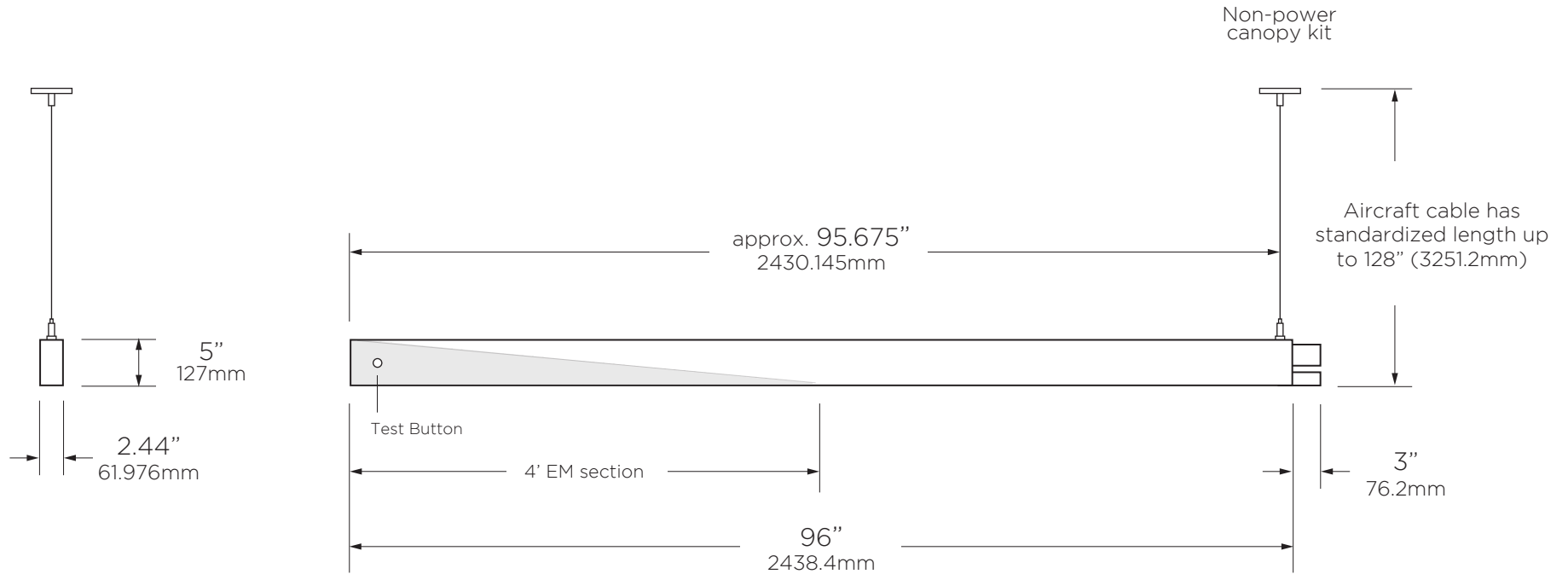
SUBMITTAL DRAWING - 8' MIDDLE TYPE 8B / EM1

VECTOR™

8' Middle of Run Unit

CLIENT _____ **PROJECT** _____

NUMBER _____ **TYPE** _____ - 8B / EM1 **QTY** _____



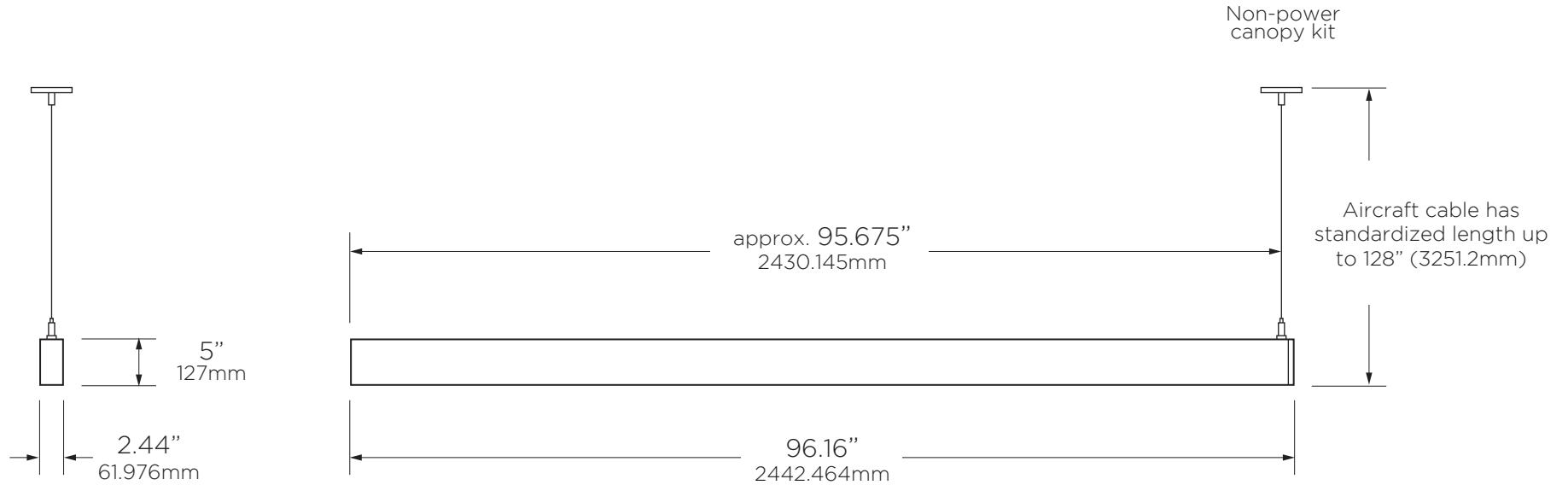
SUBMITTAL DRAWING - 8' END TYPE 8C

VECTOR™

8' End of Run Unit

CLIENT _____ **PROJECT** _____

NUMBER _____ **TYPE** _____ **- 8C** **QTY** _____



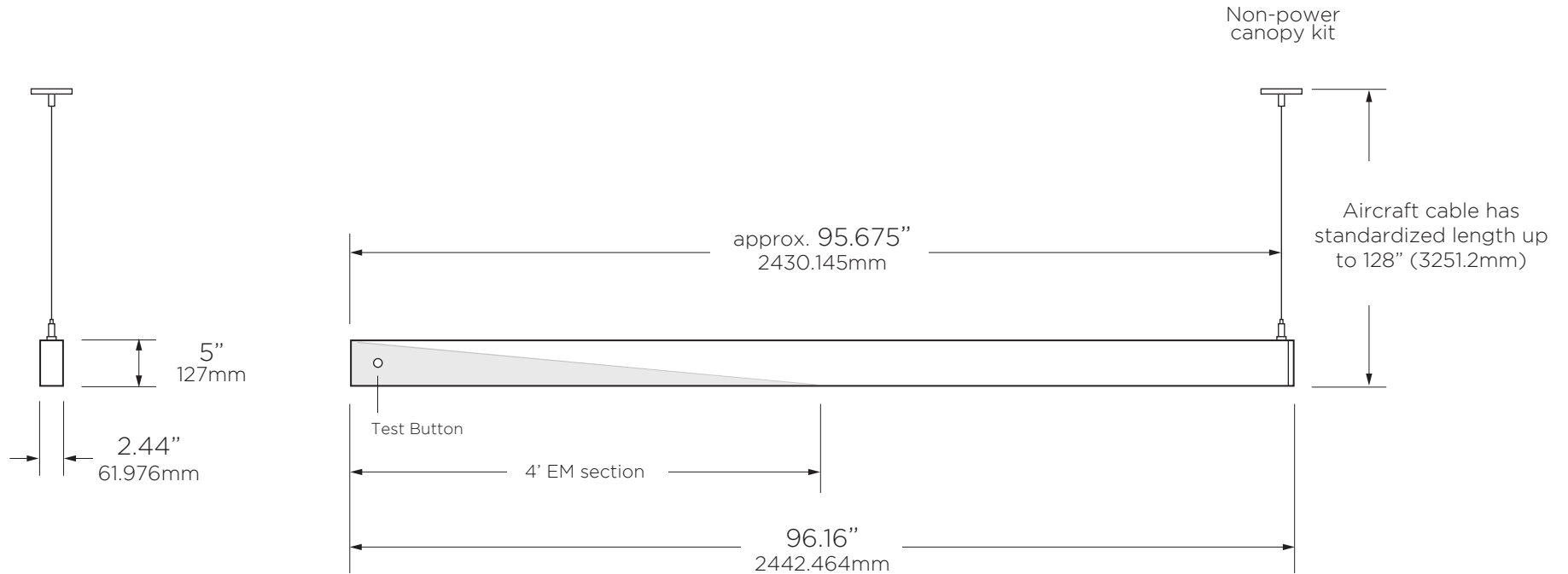
SUBMITTAL DRAWING - 8' END TYPE 8C / EM1

VECTOR™

8' End of Run Unit

CLIENT _____ **PROJECT** _____

NUMBER _____ **TYPE** _____ - 8C / EM1 **QTY** _____



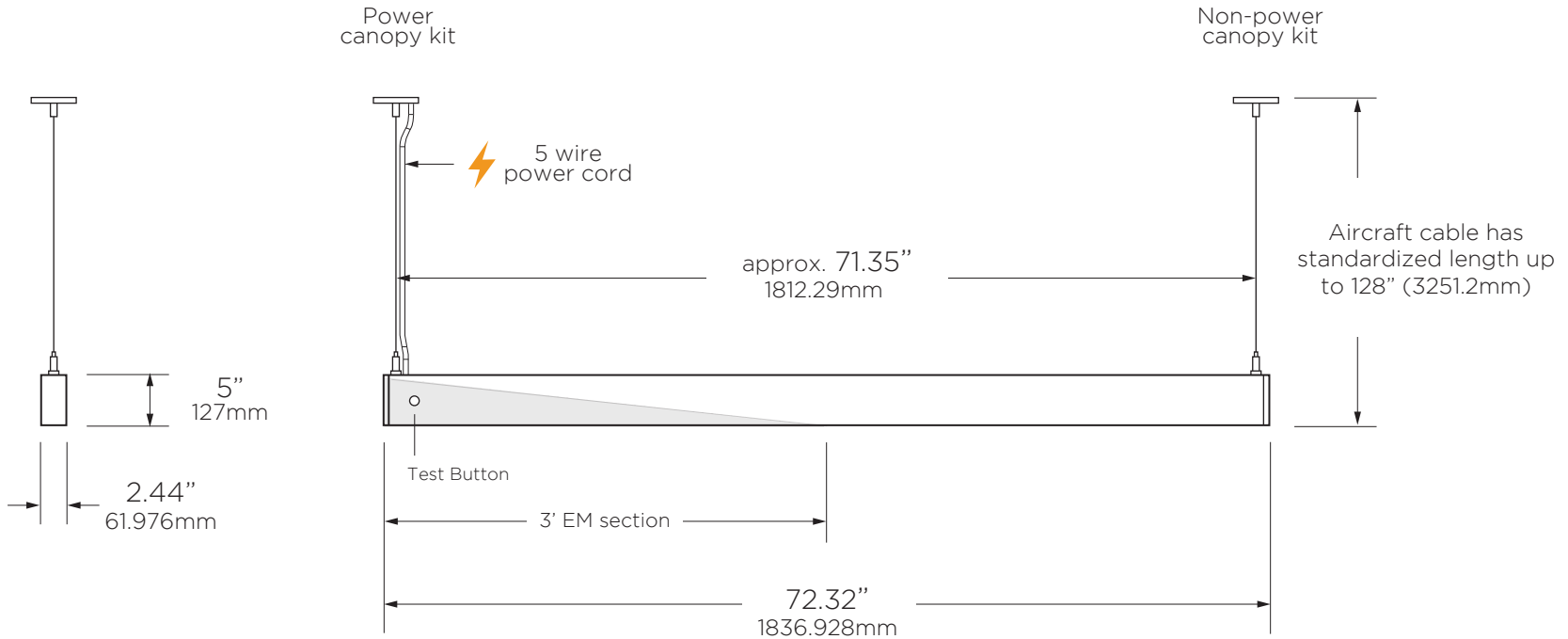
SUBMITTAL DRAWING - 6' STANDALONE TYPE 6 / EM

VECTOR™

6' Standalone Unit

CLIENT _____ PROJECT _____

NUMBER _____ TYPE _____ - 6 / EM QTY _____



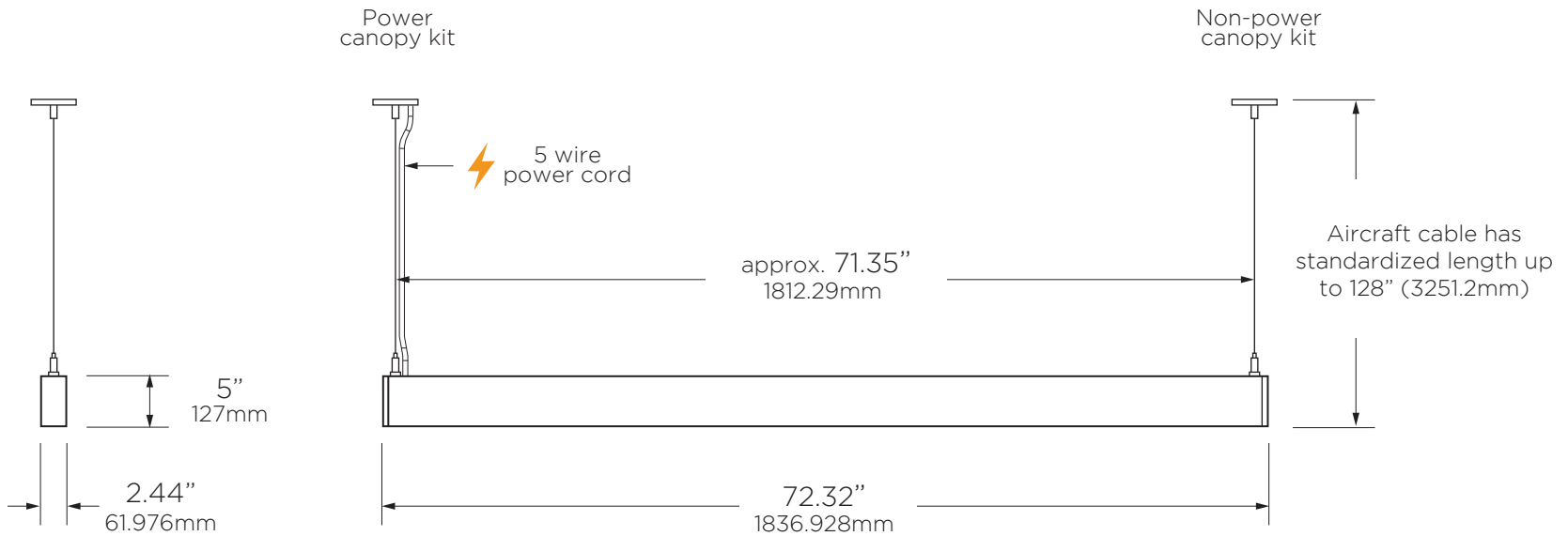
SUBMITTAL DRAWING - 6' STANDALONE TYPE 6

VECTOR™

6' Standalone Unit

CLIENT _____ **PROJECT** _____

NUMBER _____ **TYPE** _____ **- 6** **QTY** _____



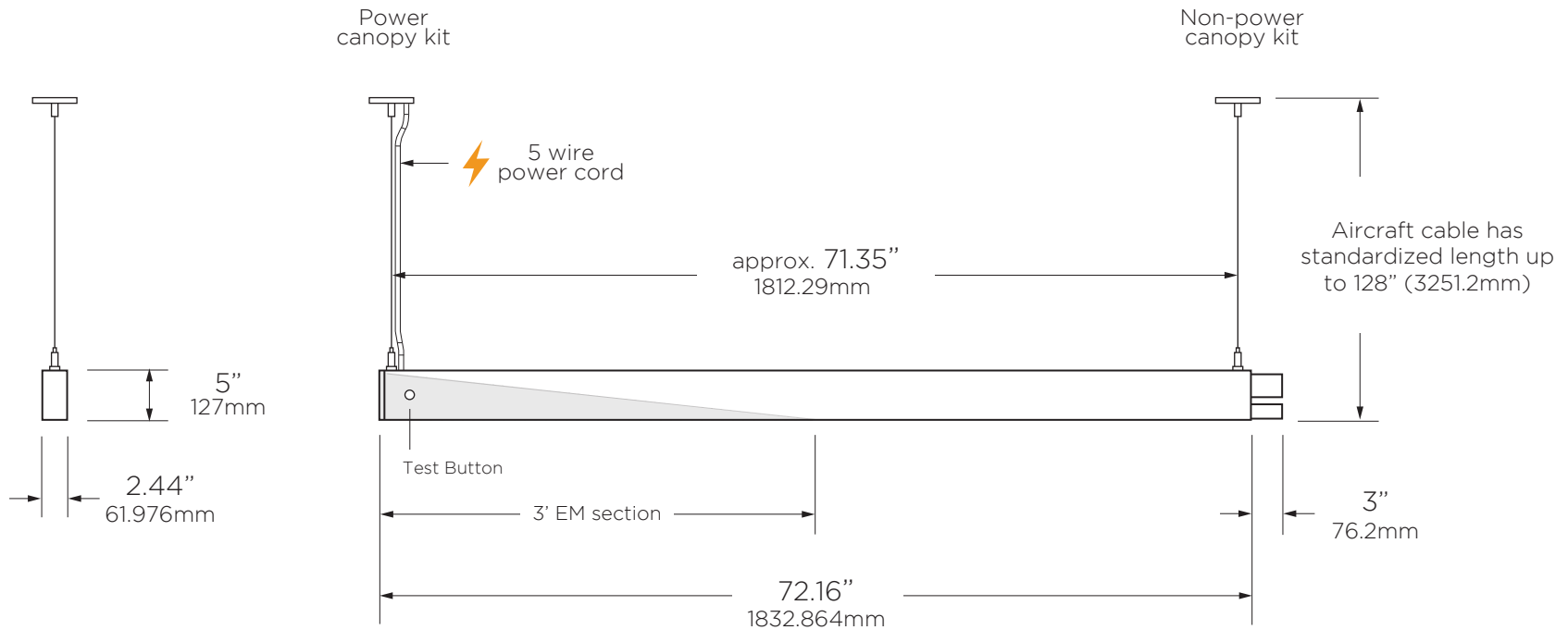
SUBMITTAL DRAWING - 6' FIRST TYPE 6A / EM

VECTOR™

6' First of Run Unit

CLIENT _____ PROJECT _____

NUMBER _____ TYPE _____ - 6 A / EM QTY _____



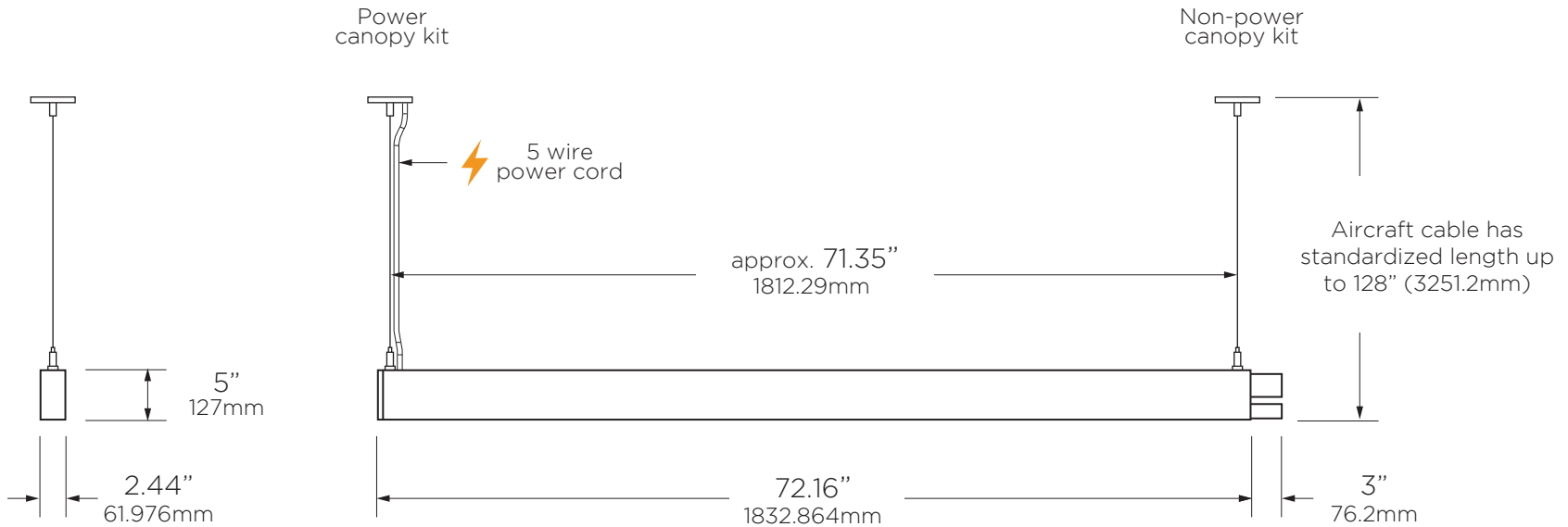
SUBMITTAL DRAWING - 6' FIRST TYPE 6A

VECTOR™

6' First of Run Unit

CLIENT _____ **PROJECT** _____

NUMBER _____ **TYPE** _____ - 6A **QTY** _____



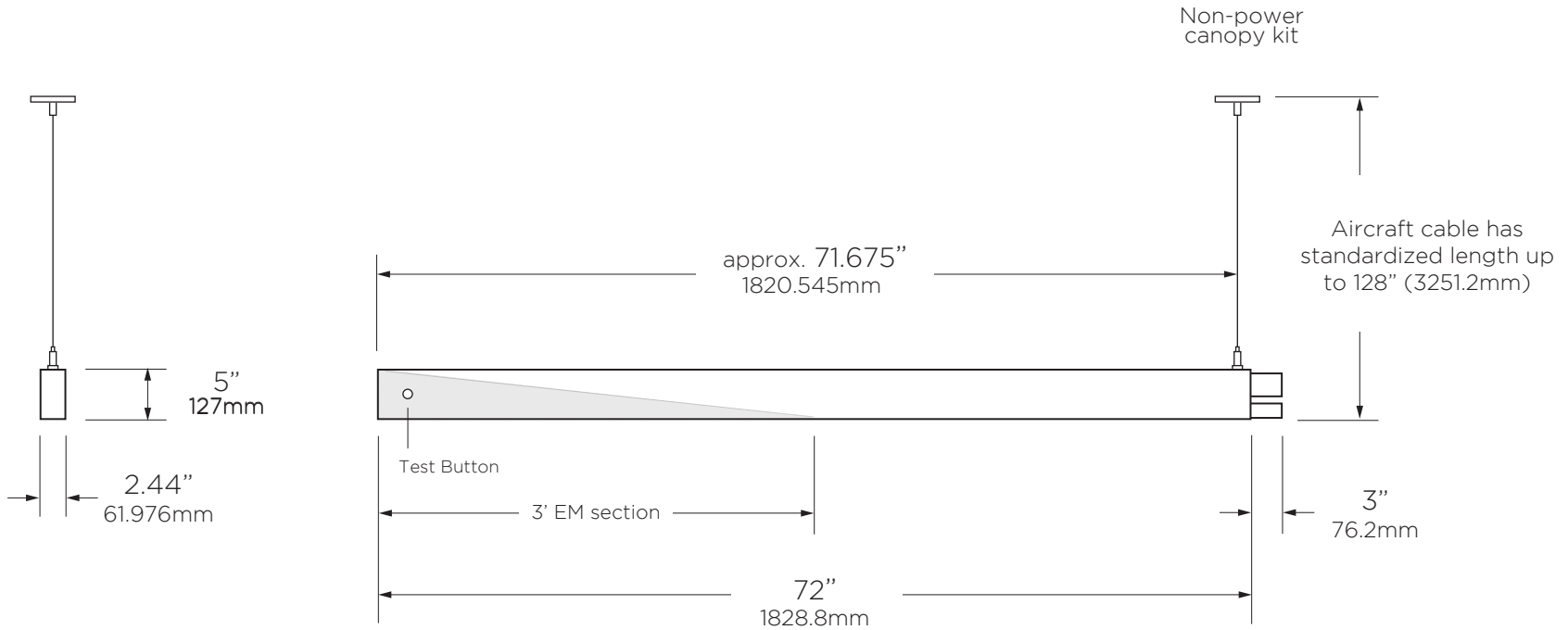
SUBMITTAL DRAWING - 6' MIDDLE TYPE 6B / EM1

VECTOR™

6' Middle of Run Unit

CLIENT _____ **PROJECT** _____

NUMBER _____ **TYPE** _____ - 6 B / EM1 **QTY** _____

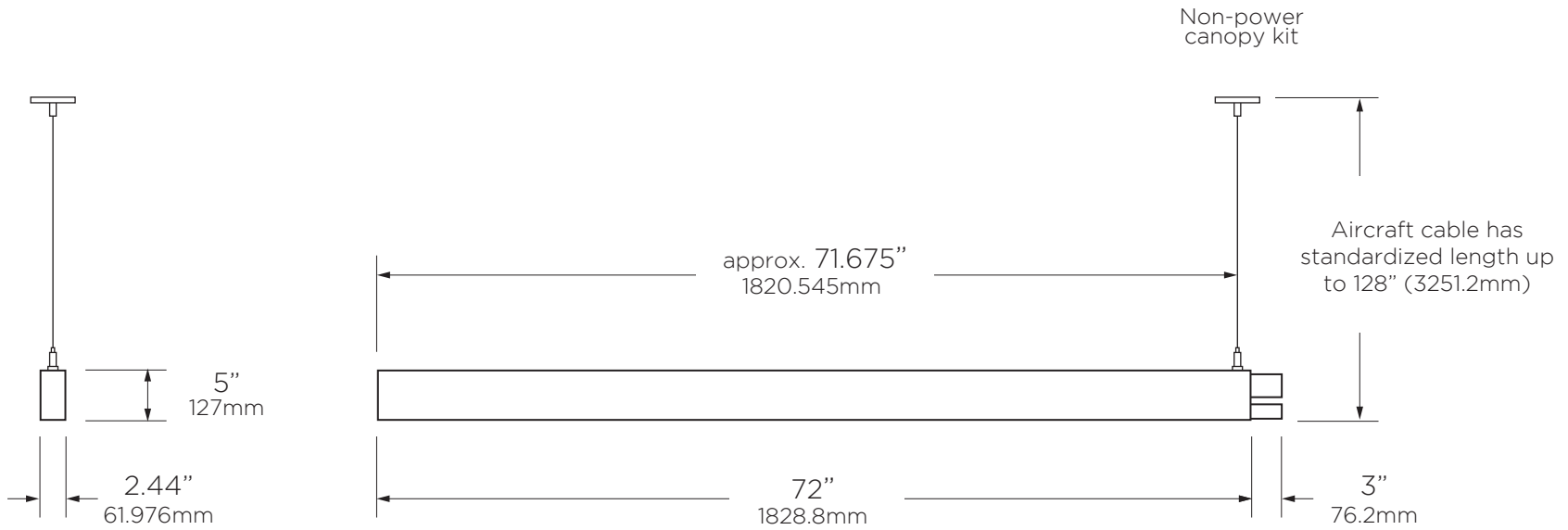


SUBMITTAL DRAWING - 6' MIDDLE TYPE 6B

VECTOR™
6' Middle of Run Unit

CLIENT _____ **PROJECT** _____

NUMBER _____ **TYPE** _____ - 6 B **QTY** _____



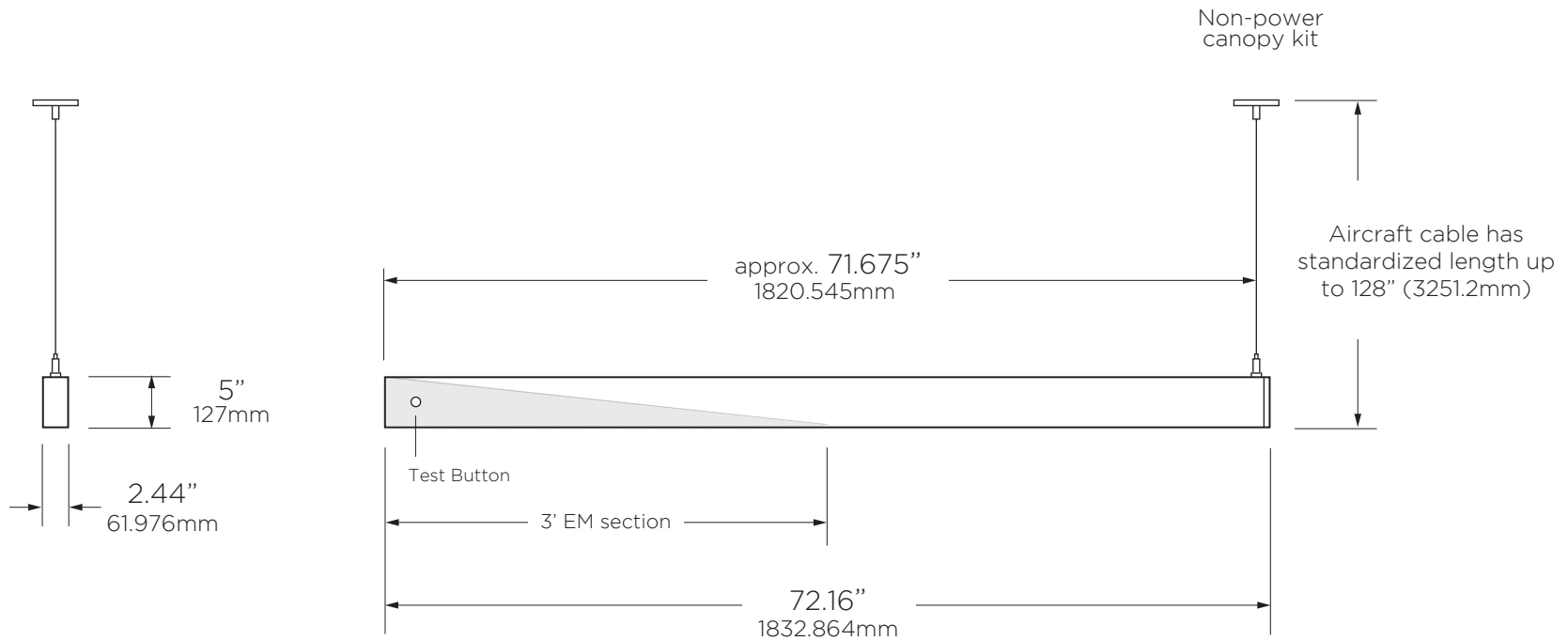
SUBMITTAL DRAWING - 6' END TYPE 6C / EM1

VECTORTM

6' End of Run Unit

CLIENT _____ PROJECT _____

NUMBER _____ TYPE _____ - 6 C / EM1 QTY _____



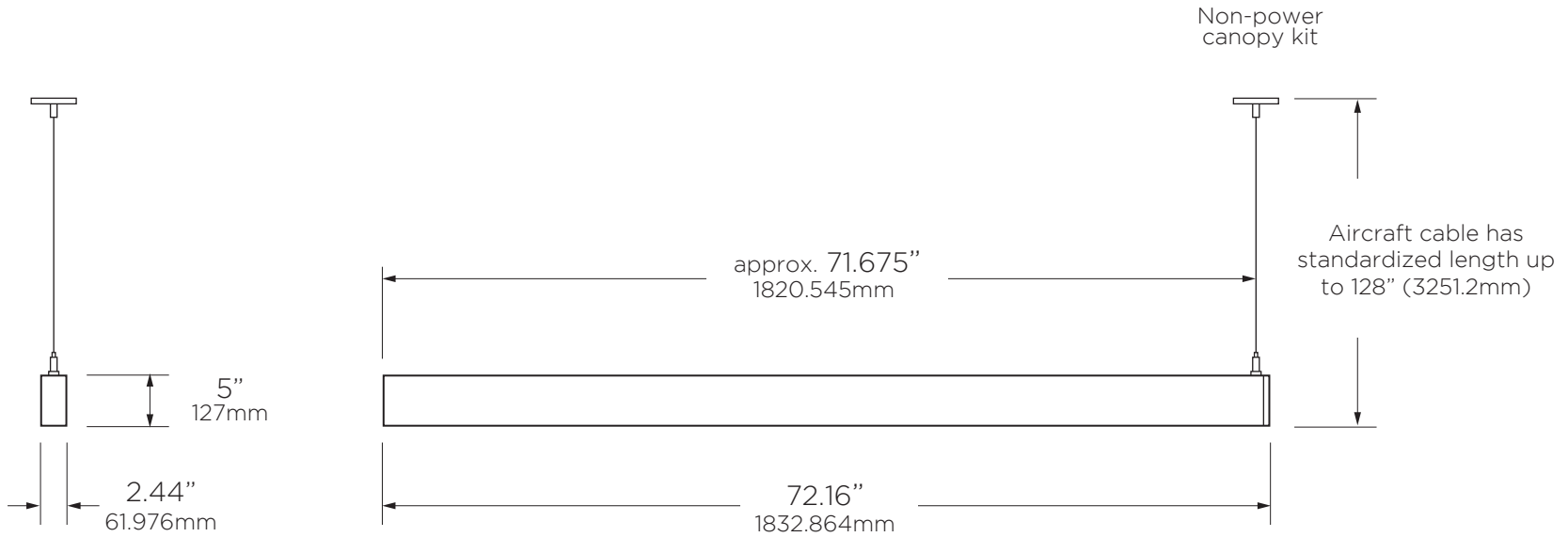
SUBMITTAL DRAWING - 6' END TYPE 6C

VECTORTM

6' End of Run Unit

CLIENT _____ **PROJECT** _____

NUMBER _____ **TYPE** _____ - 6C **QTY** _____



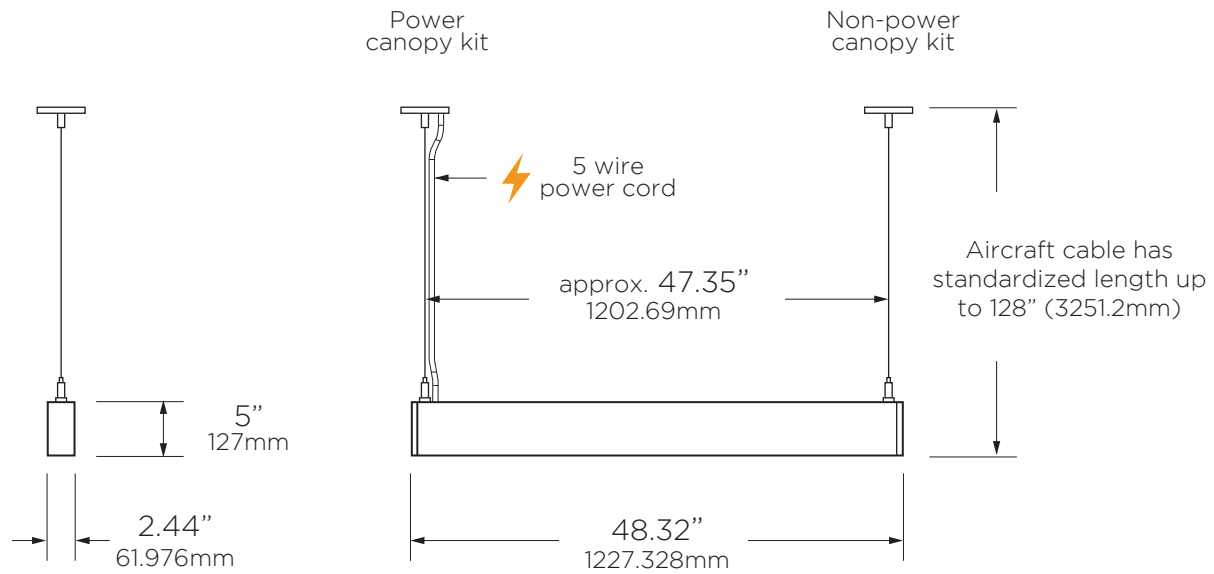
SUBMITTAL DRAWING - 4' STANDALONE TYPE 4

VECTOR™

4' Standalone Unit

CLIENT _____ PROJECT _____

NUMBER _____ TYPE _____ - 4 QTY _____



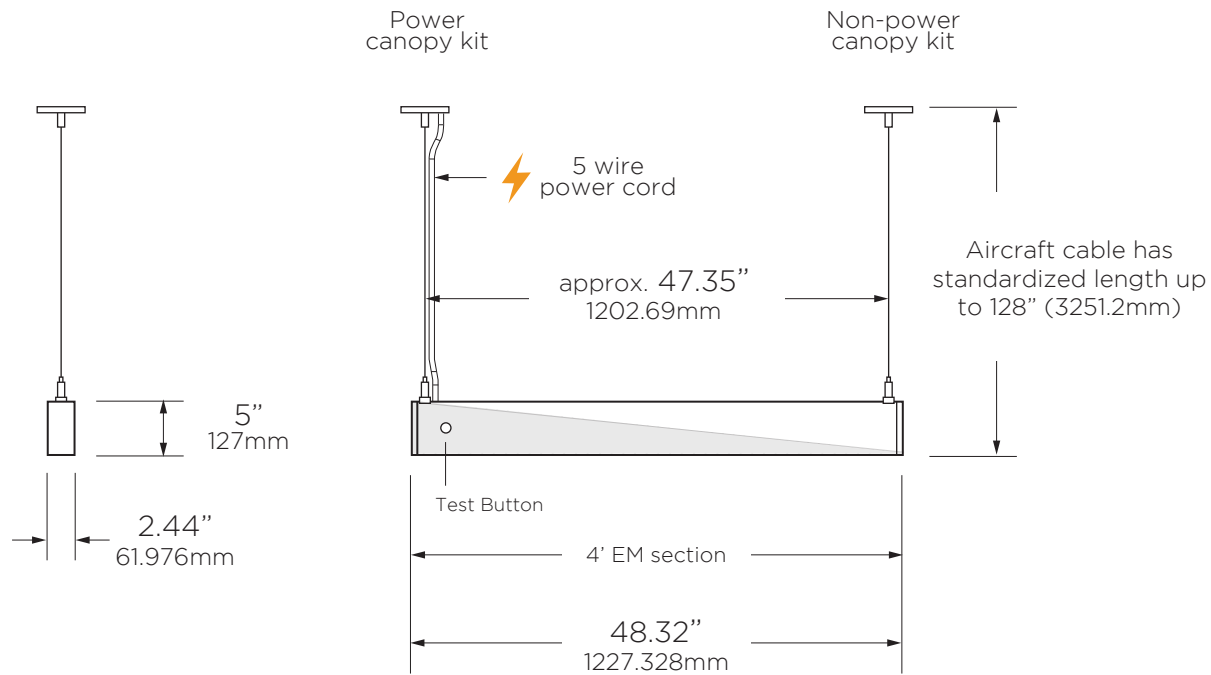
SUBMITTAL DRAWING - 4' STANDALONE TYPE 4 / EM

VECTOR™

4' Standalone Unit

CLIENT _____ **PROJECT** _____

NUMBER _____ **TYPE** _____ - 4 / EM **QTY** _____



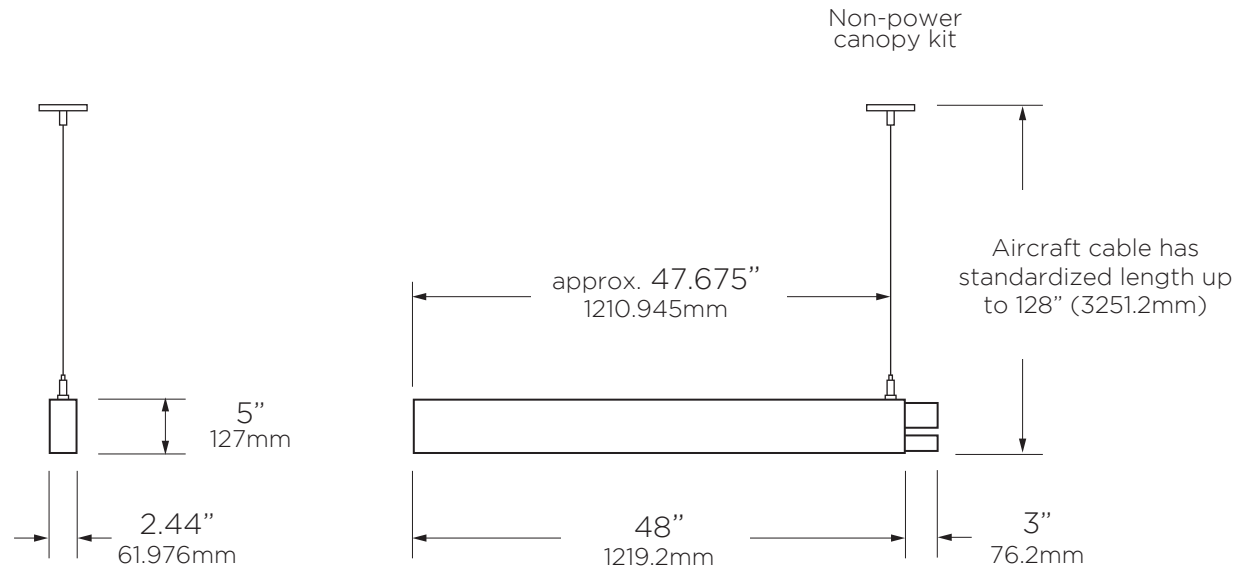
SUBMITTAL DRAWING - 4' MIDDLE TYPE 4B

VECTOR™

4' Middle of Run Unit

CLIENT _____ **PROJECT** _____

NUMBER _____ **TYPE** _____ - 4 B **QTY** _____



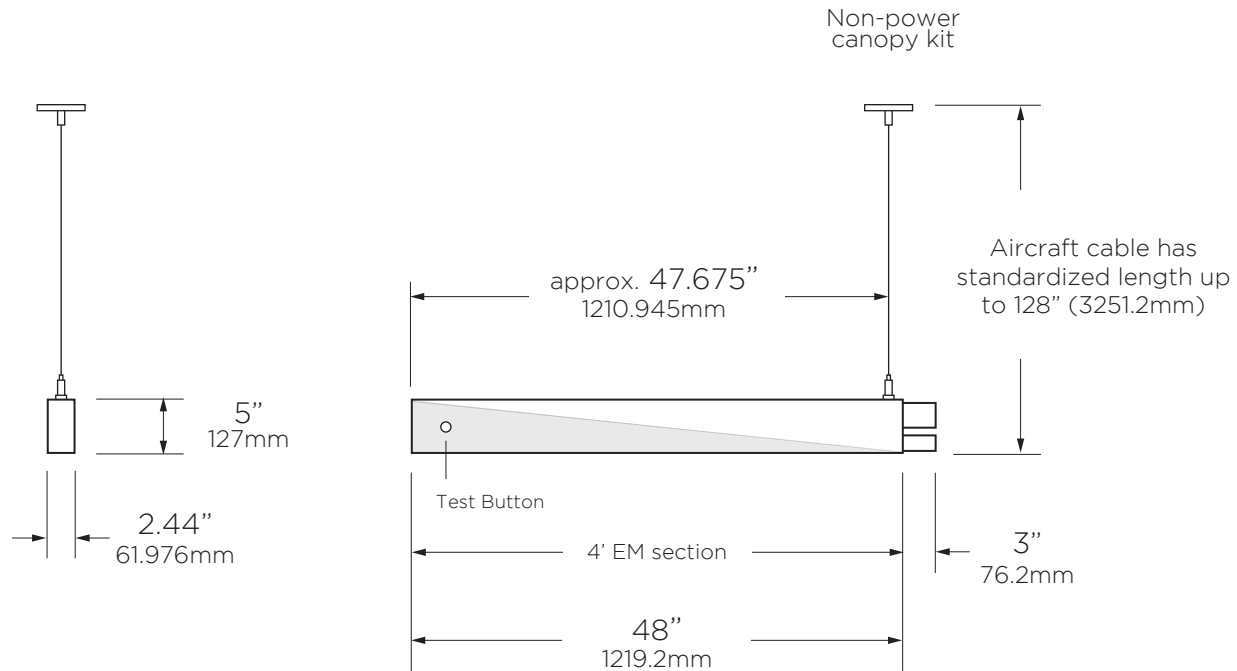
SUBMITTAL DRAWING - 4' MIDDLE TYPE 4B / EM

VECTOR™

4' Middle of Run Unit

CLIENT _____ **PROJECT** _____

NUMBER _____ **TYPE** _____ - 4B / EM **QTY** _____



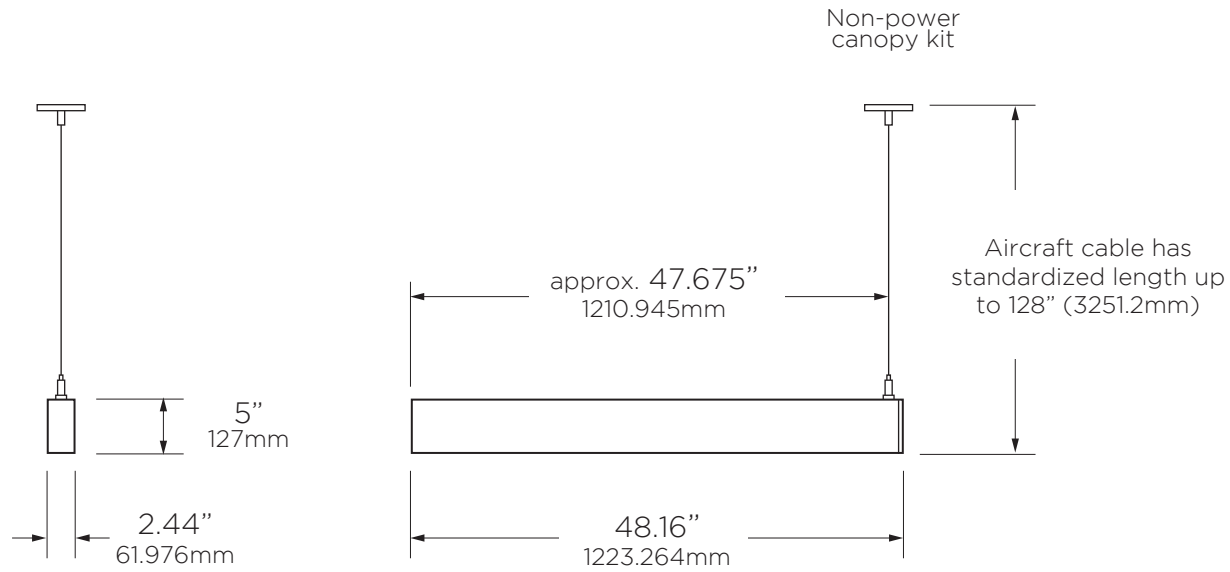
SUBMITTAL DRAWING - 4' END TYPE 4C

VECTOR™

4' End of Run Unit

CLIENT _____ **PROJECT** _____

NUMBER _____ **TYPE** _____ - 4C **QTY** _____



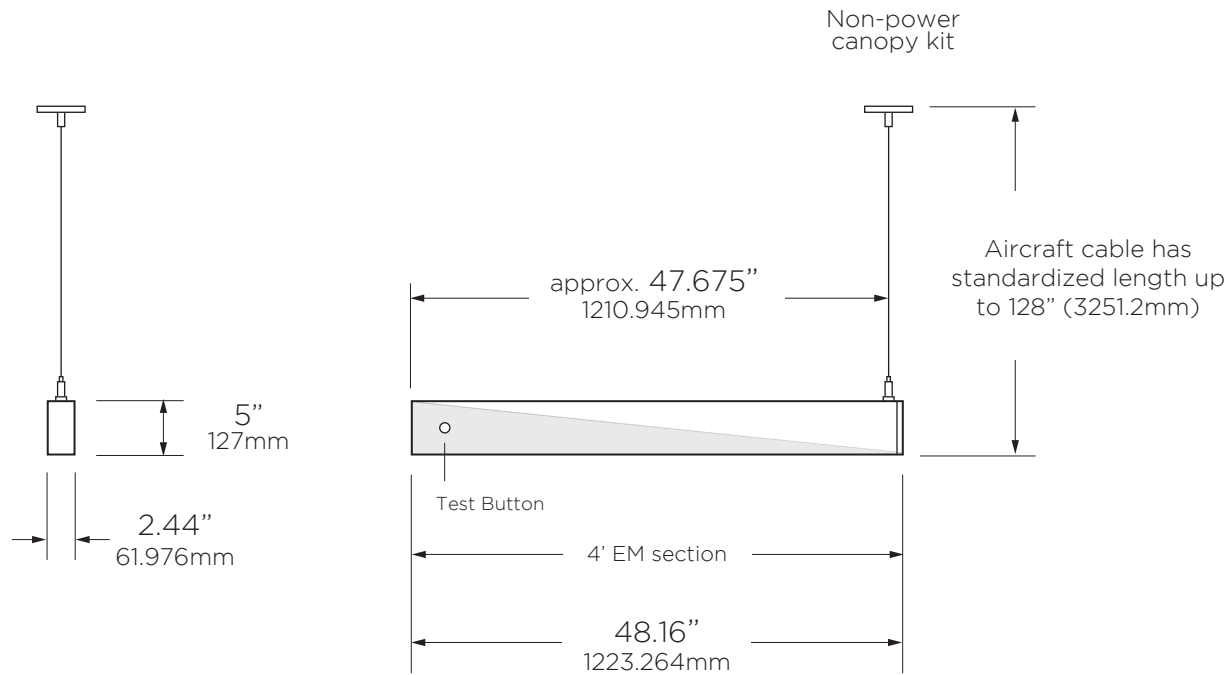
SUBMITTAL DRAWING - 4' END TYPE 4C / EM

VECTOR™

4' End of Run Unit

CLIENT _____ **PROJECT** _____

NUMBER _____ **TYPE** _____ - 4C / EM **QTY** _____

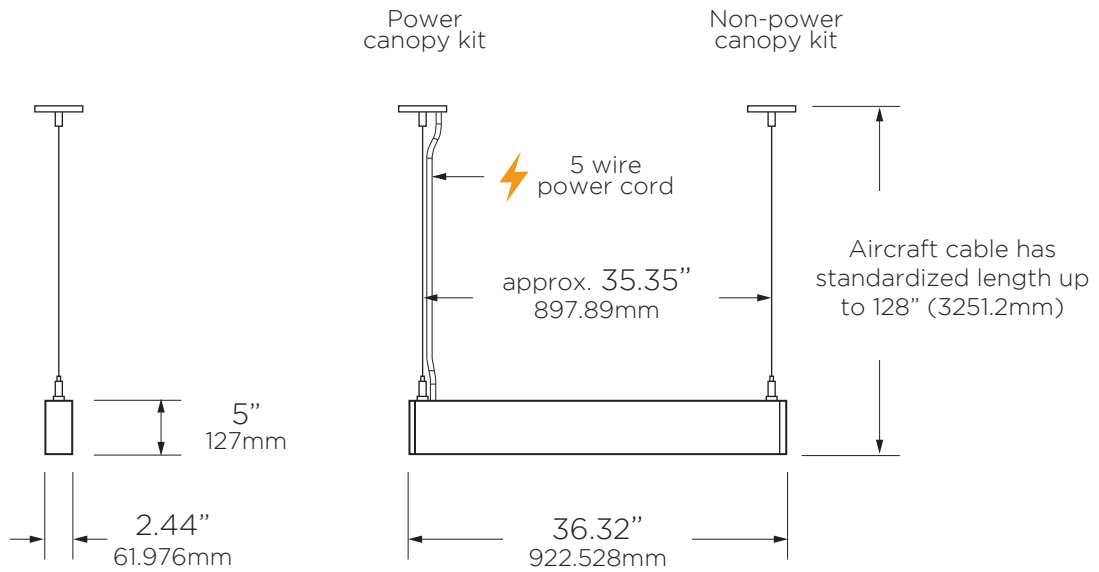


SUBMITTAL DRAWING - 3' END TYPE 3

VECTOR™
3' Standalone Unit

CLIENT _____ **PROJECT** _____

NUMBER _____ **TYPE** _____ **- 3** **QTY** _____



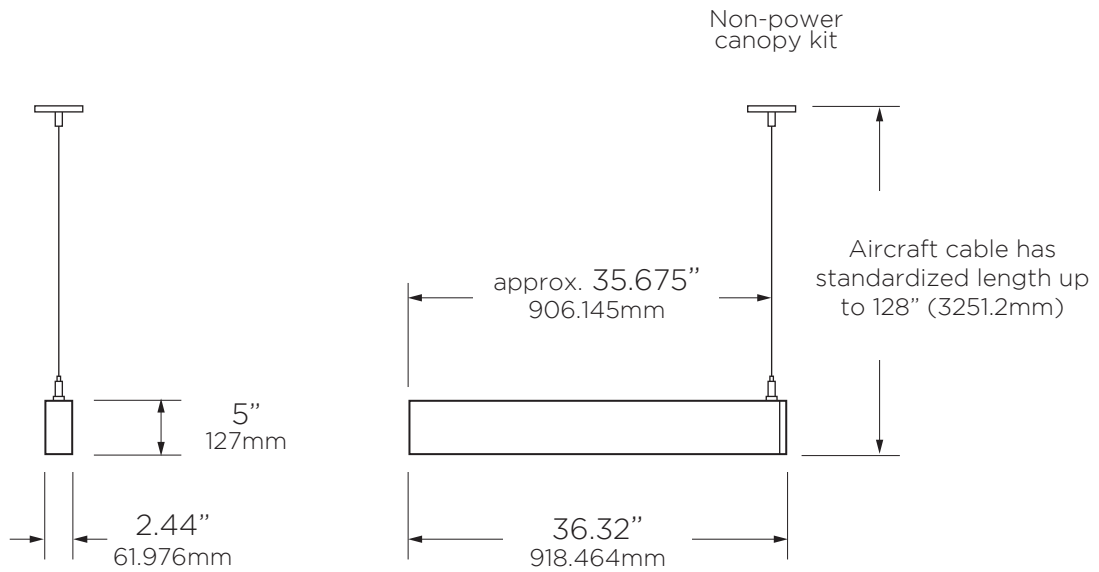
SUBMITTAL DRAWING - 3' END TYPE 3C

VECTOR™

3' End of Run Unit

CLIENT _____ PROJECT _____

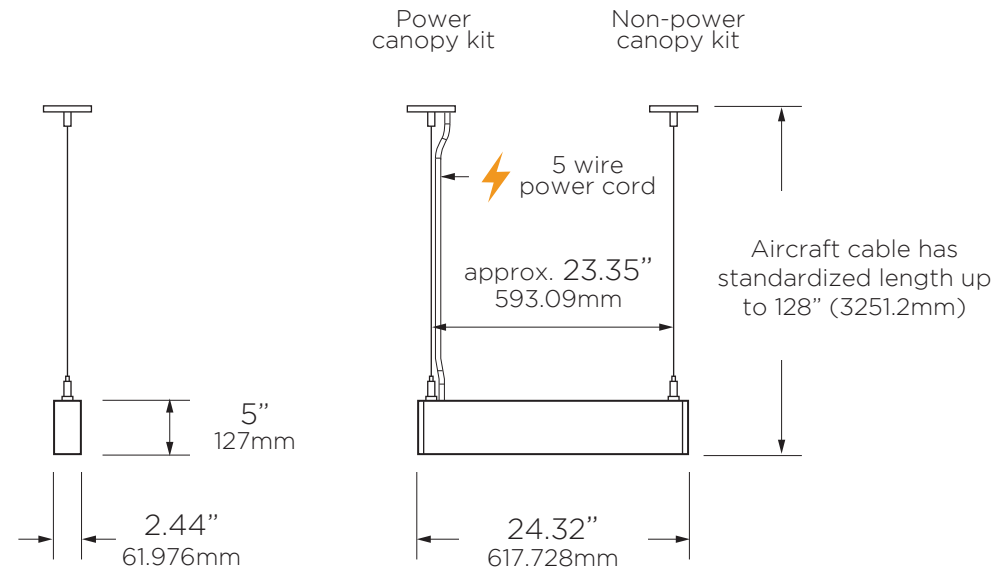
NUMBER _____ TYPE _____ - 3C QTY _____



SUBMITTAL DRAWING - 2' STANDALONE TYPE 2

CLIENT _____ PROJECT _____

NUMBER _____ TYPE _____ -2 QTY _____



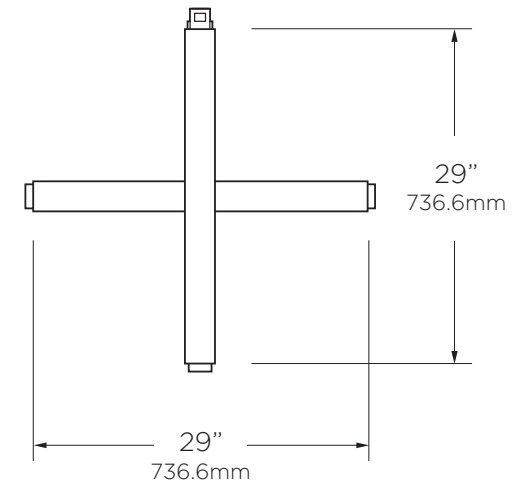
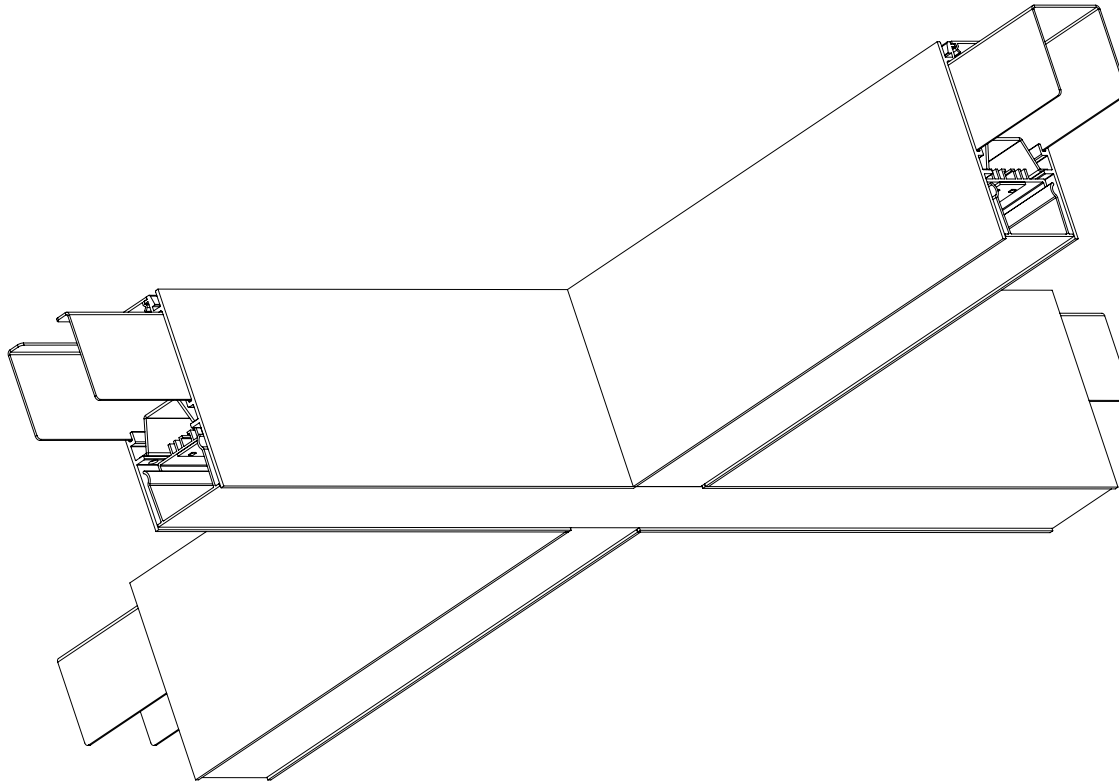
SUBMITTAL DRAWING - CROSS

VECTORTM

Cross

CLIENT _____ PROJECT _____

NUMBER _____ TYPE _____ QTY _____



These dimensions are universal for all three Vector aperture sizes.

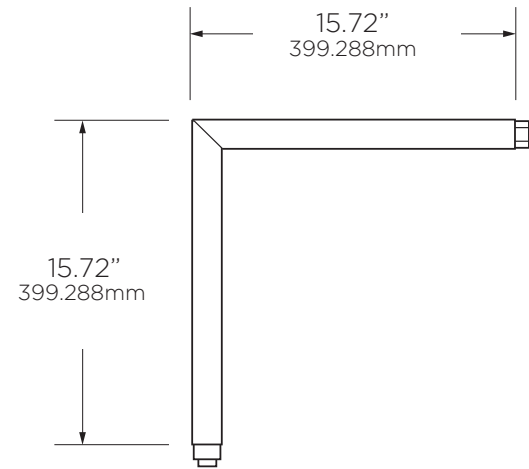
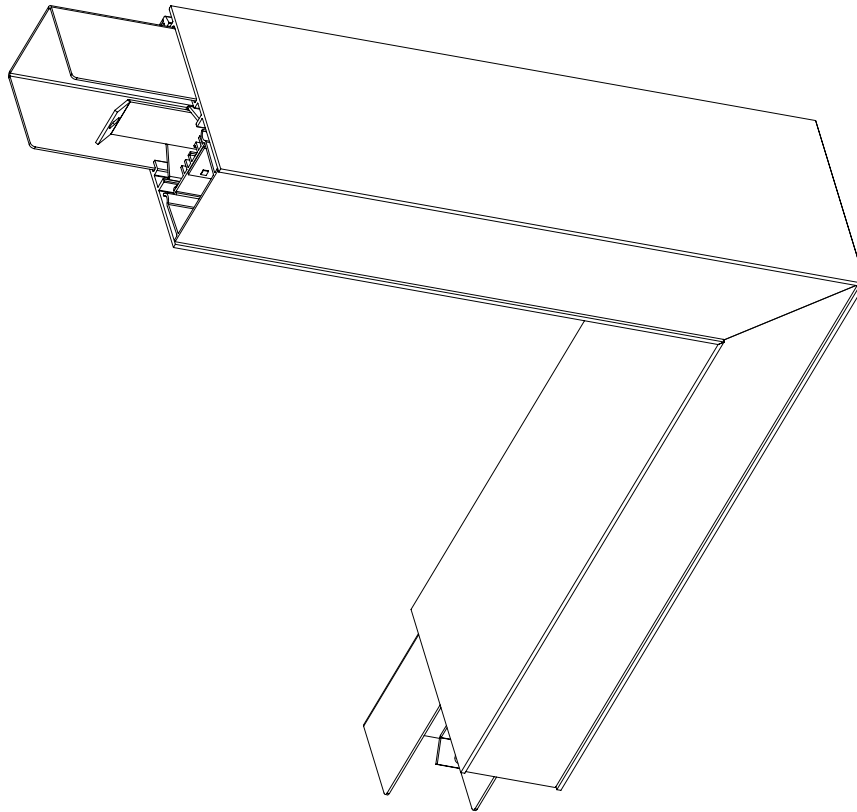
SUBMITTAL DRAWING - LIT CORNER

VECTORTM

Lit Corner

CLIENT _____ PROJECT _____

NUMBER _____ TYPE _____ QTY _____



These dimensions are universal for all three Vector aperture sizes.

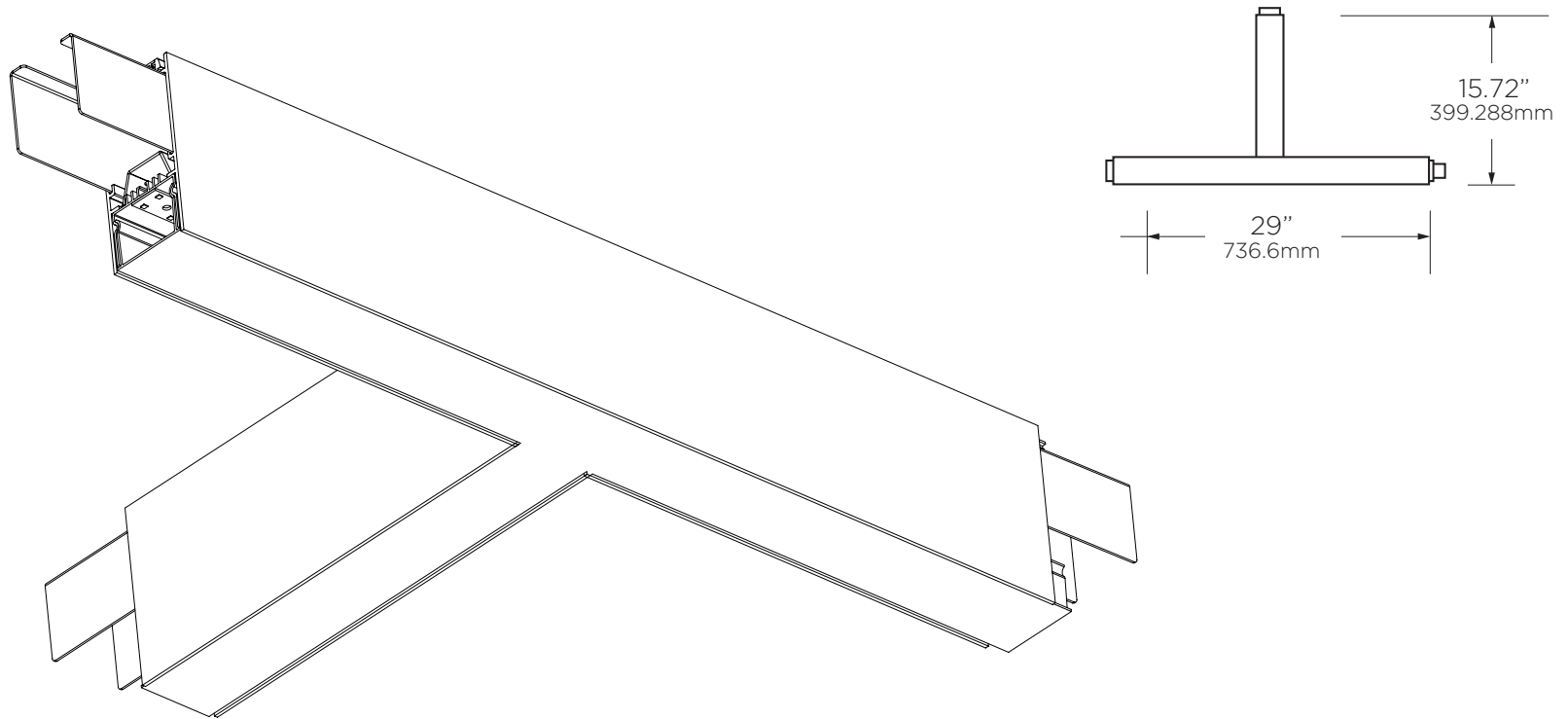
SUBMITTAL DRAWING - TEE

VECTORTM

Tee

CLIENT _____ PROJECT _____

NUMBER _____ TYPE _____ QTY _____

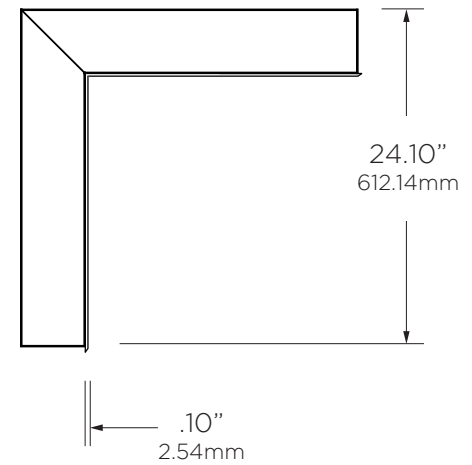
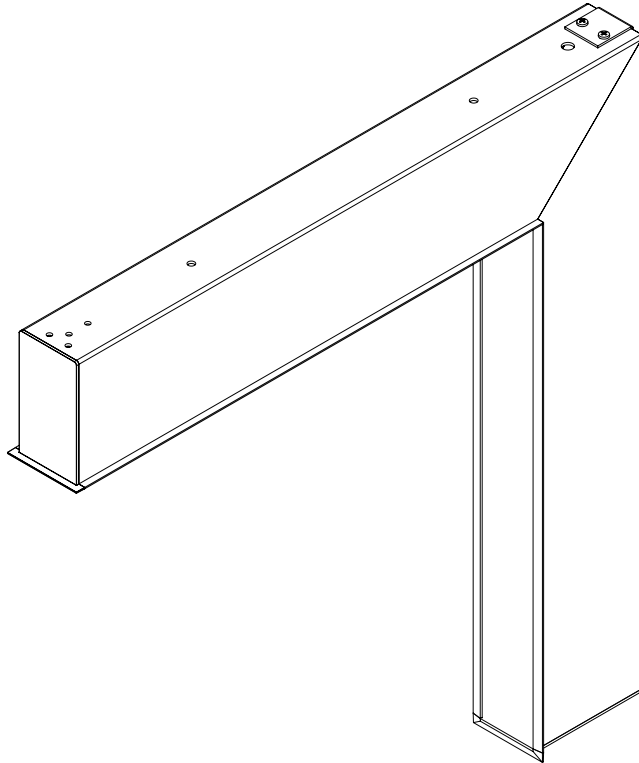


These dimensions are universal for all three Vector aperture sizes.

SUBMITTAL DRAWING - WALL TO CEILING

CLIENT _____ PROJECT _____

NUMBER _____ TYPE _____ QTY _____



These dimensions are universal for all three Vector aperture sizes.