

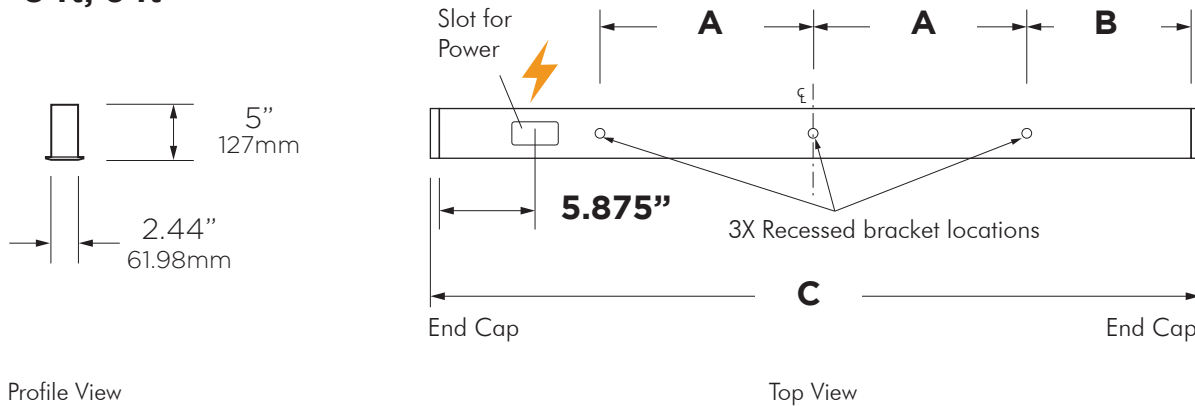
SUBMITTAL DRAWING - STANDALONE TYPE X / XEM

VECTORTM
Standalone Unit

Client _____ Project _____

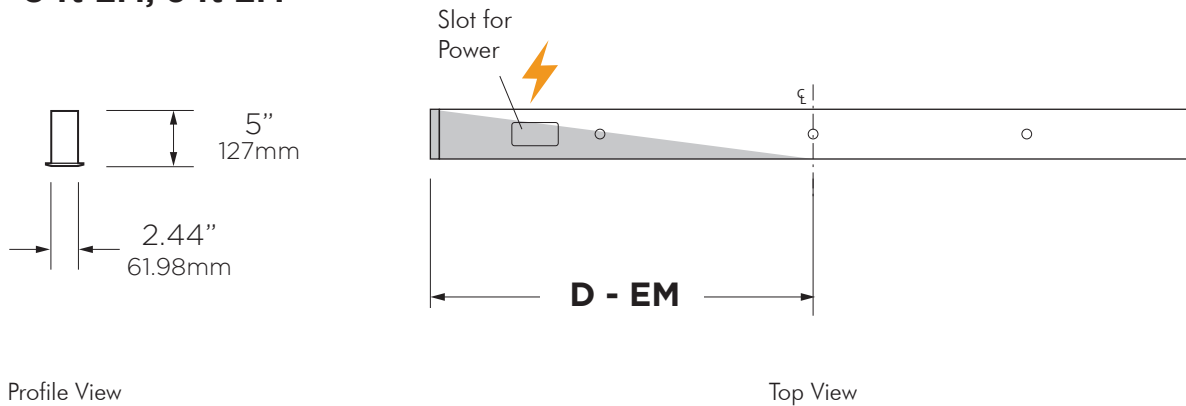
Number _____ Type _____ - X / XEM Qty _____

8 ft, 6 ft



	6 ft	8 ft
A	24.00" 609.6mm	32.00" 812.8mm
B	12.00" 304.8mm	16.00" 406.4mm
C	72.20" 1833.9mm	96.20" 2443.5mm

8 ft EM, 6 ft EM



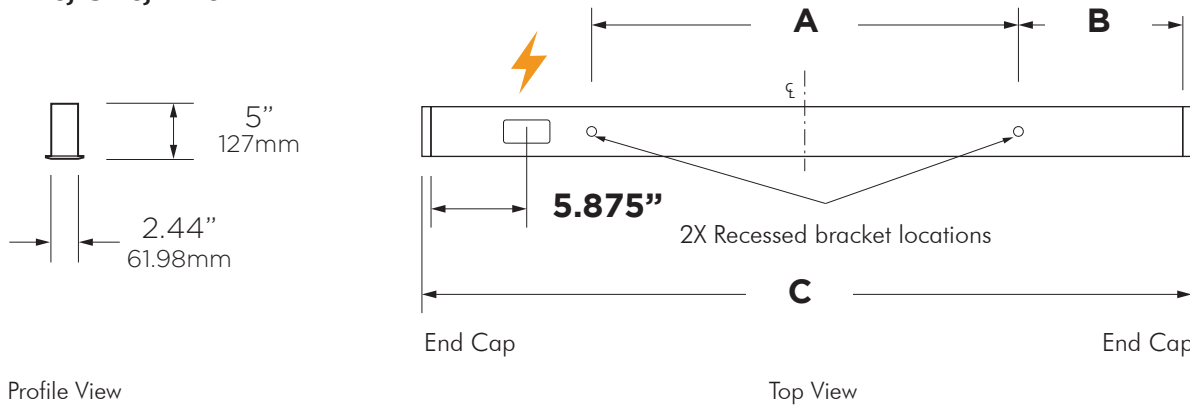
	6 ft	8 ft
D	36.00" 914.4mm	48.00" 1219.2mm

SUBMITTAL DRAWING - STANDALONE TYPE X / XEM

Client _____ Project _____

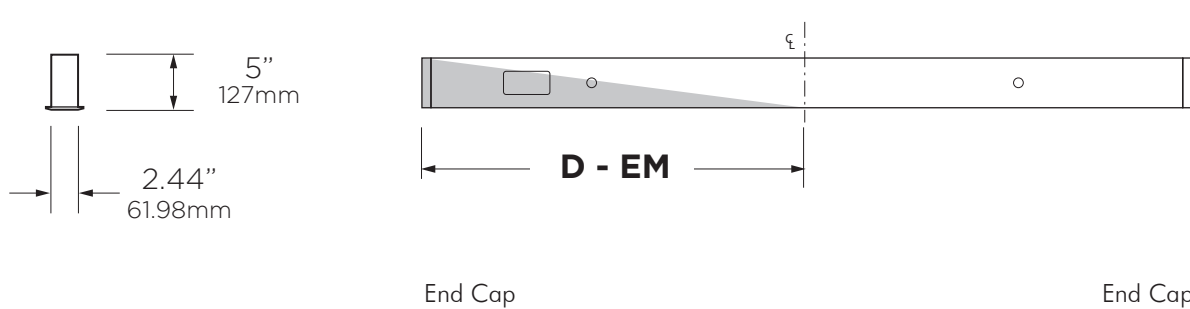
Number _____ Type _____ - X / XEM Qty _____

4 ft, 3 ft, 2 ft



	2 ft	3 ft	4 ft
A	16.00" 406.4mm	16.00" 406.4mm	32.00" 812.8mm
B	4.00" 101.6mm	10.00" 254.0mm	8.00" 203.2mm
C	24.20" 614.7mm	36.20" 919.5mm	48.20" 1224.3mm

4 ft, 3 ft, 2 ft



	2 ft	3 ft	4 ft
D	X	X	48.00" 1219.2mm

SUBMITTAL DRAWING - FIRST TYPE XA / XAEM

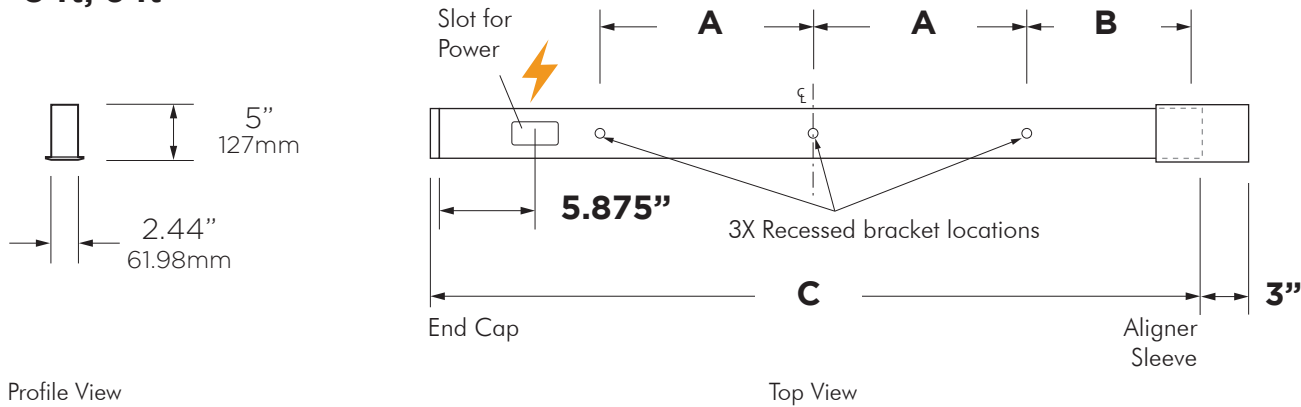
VECTOR™

First of Run Unit

Client _____ Project _____

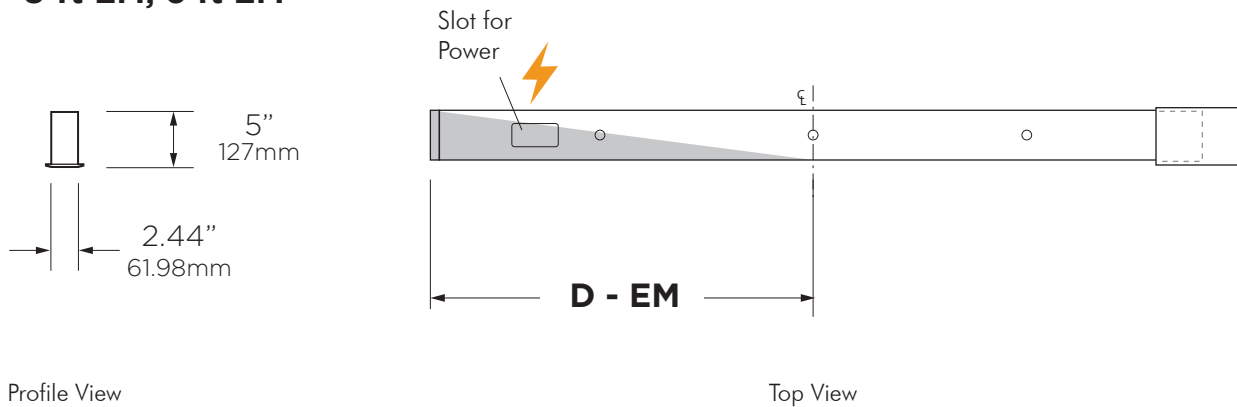
Number _____ Type _____ - XA / XAEM Qty _____

8 ft, 6 ft



	6 ft	8 ft
A	24.00" 609.6mm	32.00" 812.8mm
B	12.00" 304.8mm	16.00" 406.4mm
C	72.10" 1831.3mm	96.10" 2440.9mm

8 ft EM, 6 ft EM



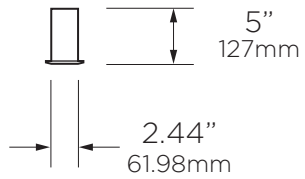
	6 ft	8 ft
D	36.00" 914.4mm	48.00" 1219.2mm

SUBMITTAL DRAWING - FIRST TYPE XA / XAEM

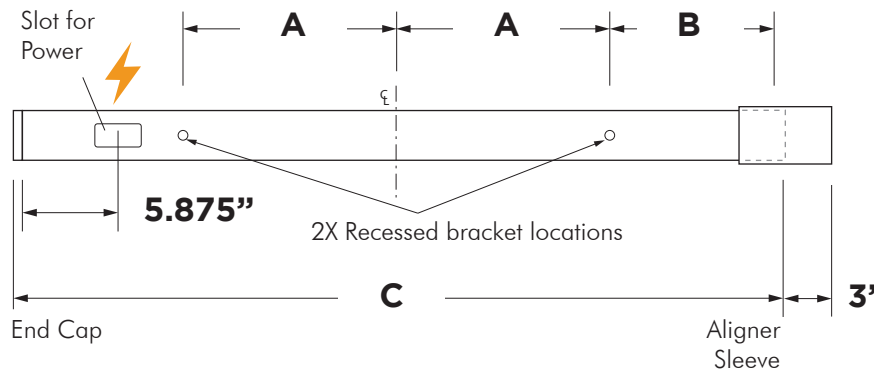
Client _____ Project _____

Number _____ Type _____ - XA / XAEM Qty _____

4 ft, 3 ft, 2 ft



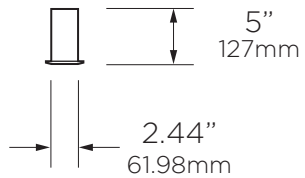
Profile View



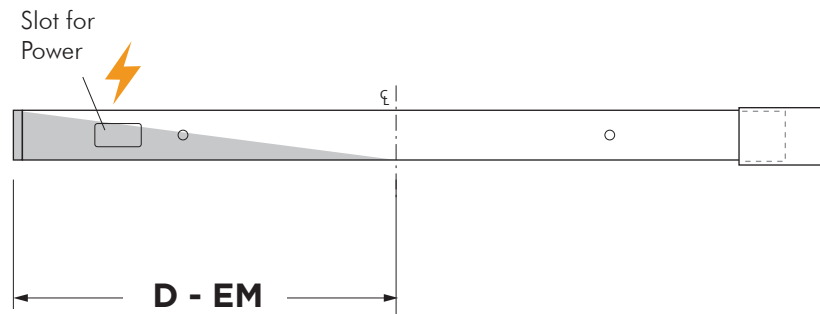
Top View

	2 ft	3 ft	4 ft
A	X	X	X
B	X	X	X
C	X	X	X

4 ft, 3 ft, 2 ft



Profile View



Top View

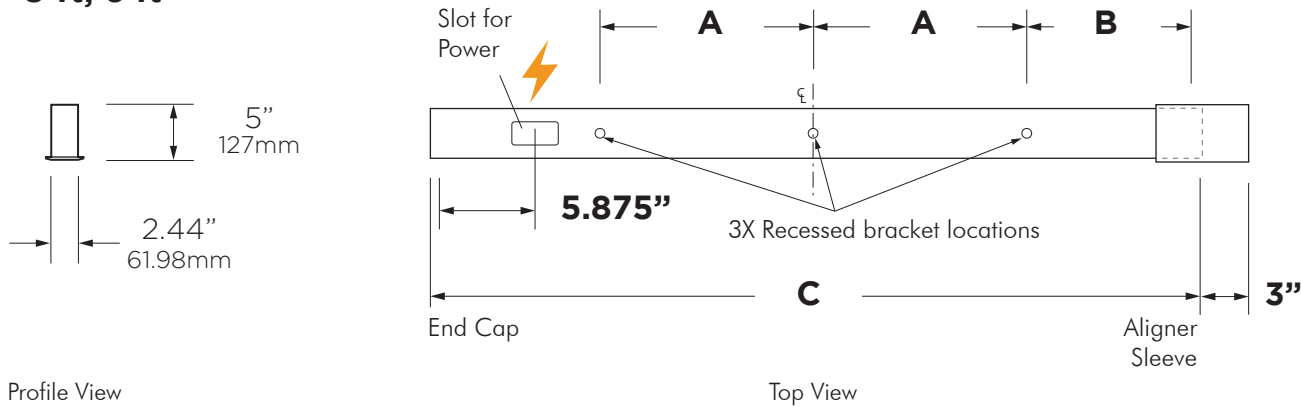
	2 ft	3 ft	4 ft
D	X	X	X

SUBMITTAL DRAWING - MIDDLE TYPE XB / XBEM1

Client _____ Project _____

Number _____ Type _____ - XB / XBEM1 Qty _____

8 ft, 6 ft

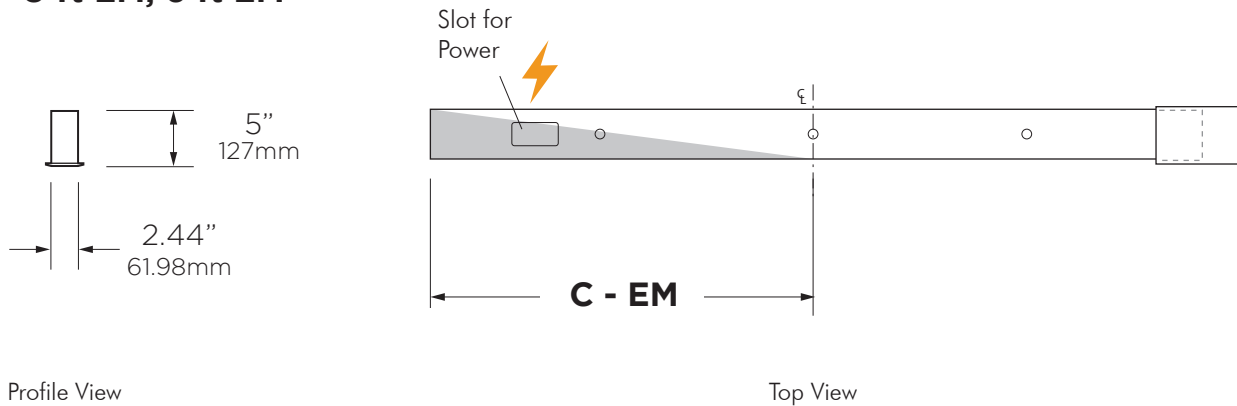


	6 ft	8 ft
A	24.00" 609.6mm	32.00" 812.8mm
B	12.00" 304.8mm	16.00" 406.4mm

Profile View

Top View

8 ft EM, 6 ft EM



	6 ft	8 ft
C	36.00" 914.4mm	48.00" 1219.2mm

Profile View

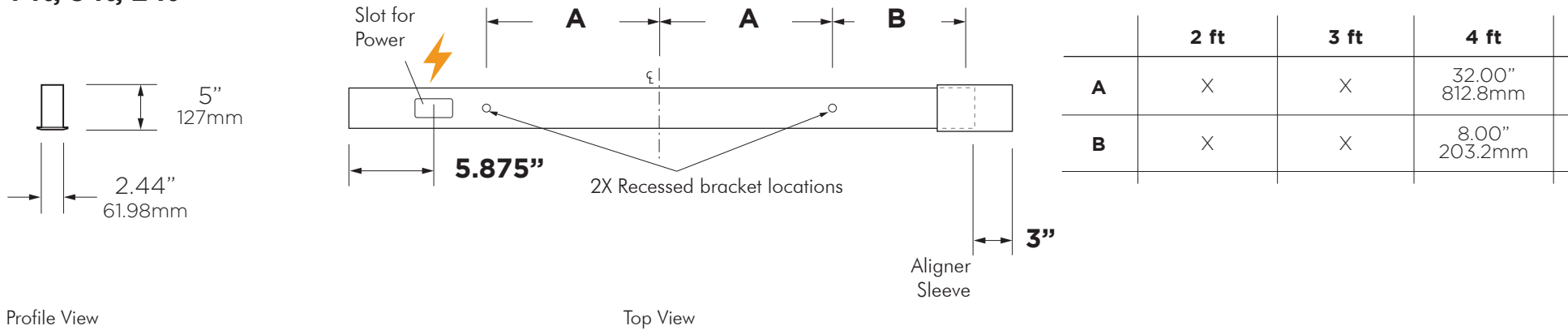
Top View

SUBMITTAL DRAWING - MIDDLE TYPE XB / XBEM1

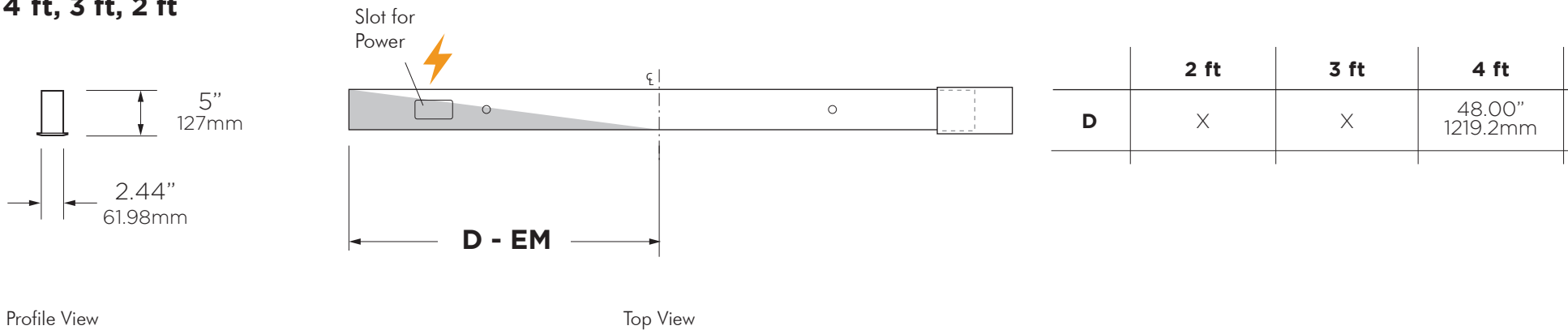
Client _____ Project _____

Number _____ Type _____ - XB / XBEM1 Qty _____

4 ft, 3 ft, 2 ft



4 ft, 3 ft, 2 ft



SUBMITTAL DRAWING - END TYPE XC / XCEM1

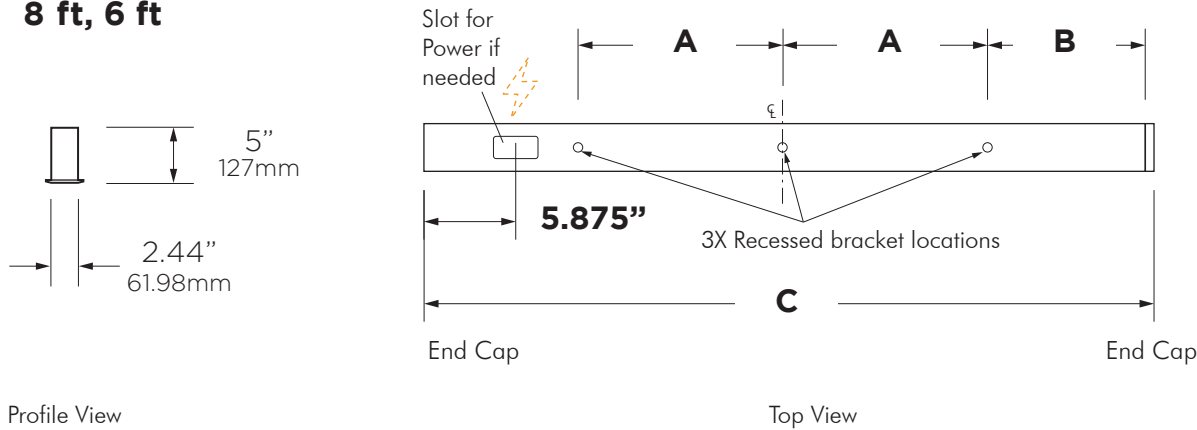
VECTORTM

End of Run Unit

Client _____ Project _____

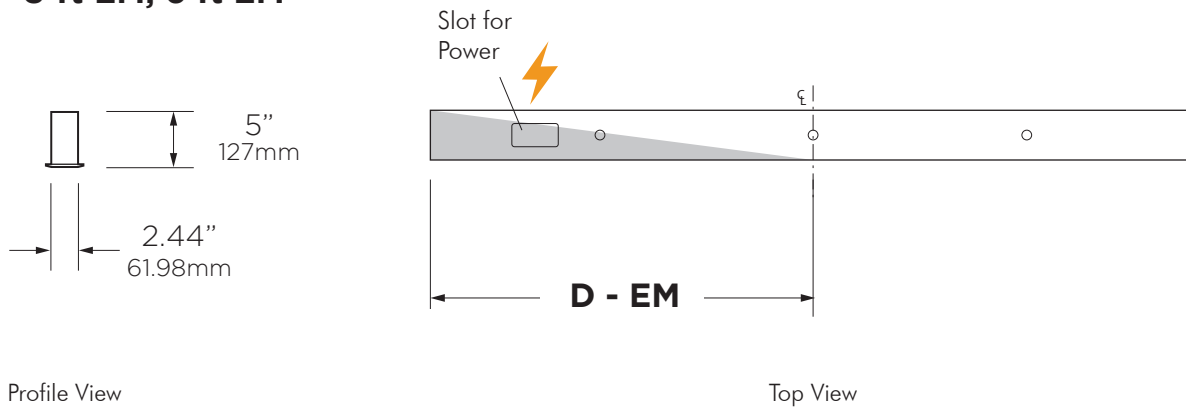
Number _____ Type _____ - XC / XCEM1 Qty _____

8 ft, 6 ft



	6 ft	8 ft
A	24.00" 609.6mm	32.00" 812.8mm
B	12.00" 304.8mm	16.00" 406.4mm
C	72.10" 1831.3mm	96.10" 2440.9mm

8 ft EM, 6 ft EM



	6 ft	8 ft
D	36.00" 914.4mm	48.00" 1219.2mm

SUBMITTAL DRAWING - END TYPE XC / XCEM1

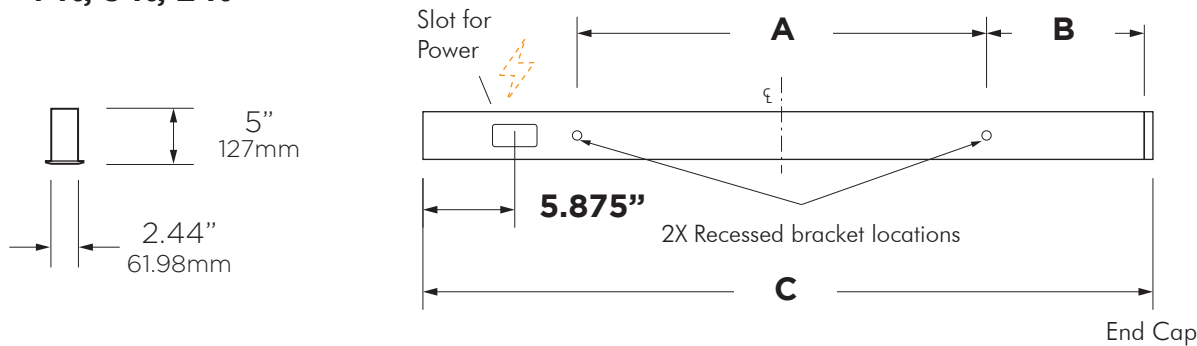
VECTOR™

End of Run Unit

Client _____ Project _____

Number _____ Type _____ - XC / XCEM1 Qty _____

4 ft, 3 ft, 2 ft

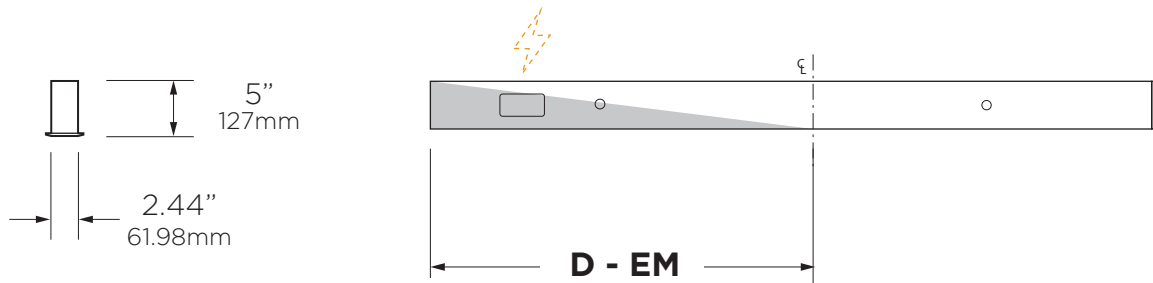


	2 ft	3 ft	4 ft
A	X	16.00" 406.4mm	32.00" 812.8mm
B	X	10.00" 254.0mm	8.00" 203.2mm
C	X	36.10" 916.9mm	48.10" 1221.7mm

Profile View

Top View

4 ft, 3 ft, 2 ft



	2 ft	3 ft	4 ft
D	X	X	48.00" 1219.2mm

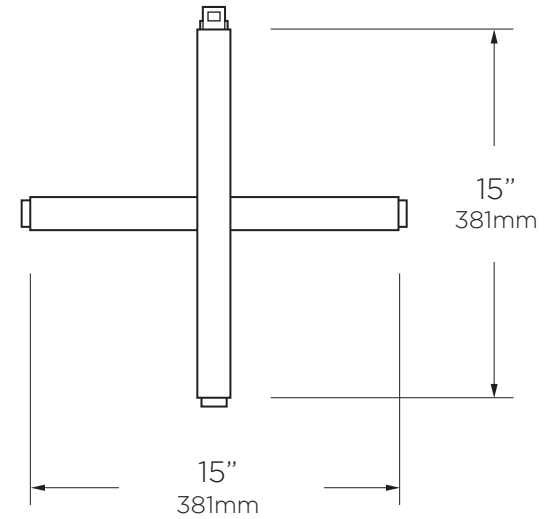
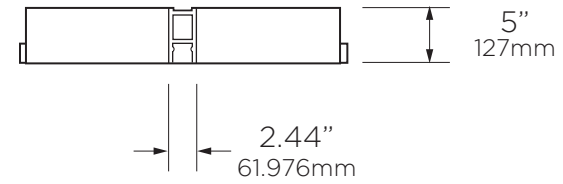
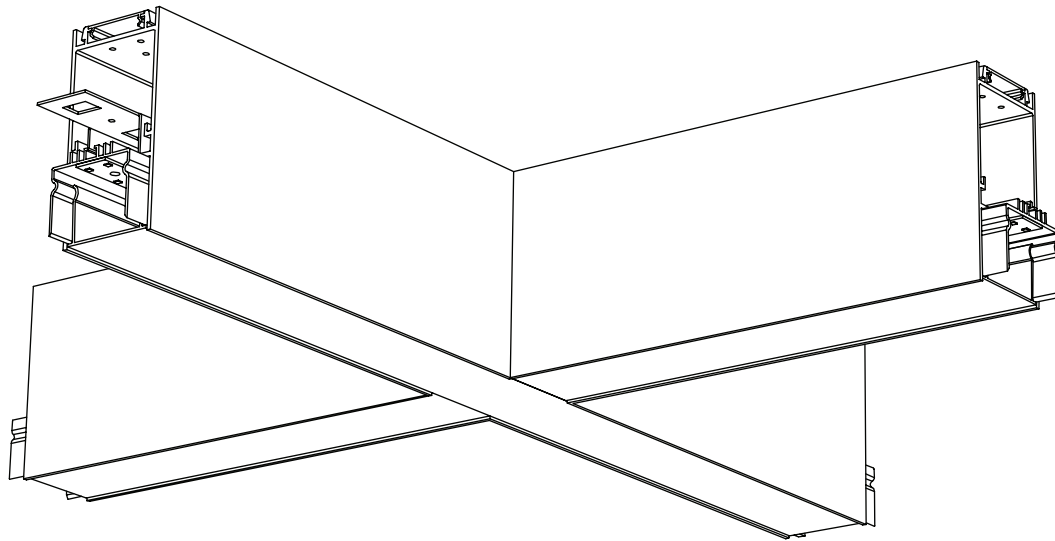
Profile View

Top View

SUBMITTAL DRAWING - CROSS

Client _____ Project _____

Number _____ Type _____ Qty _____



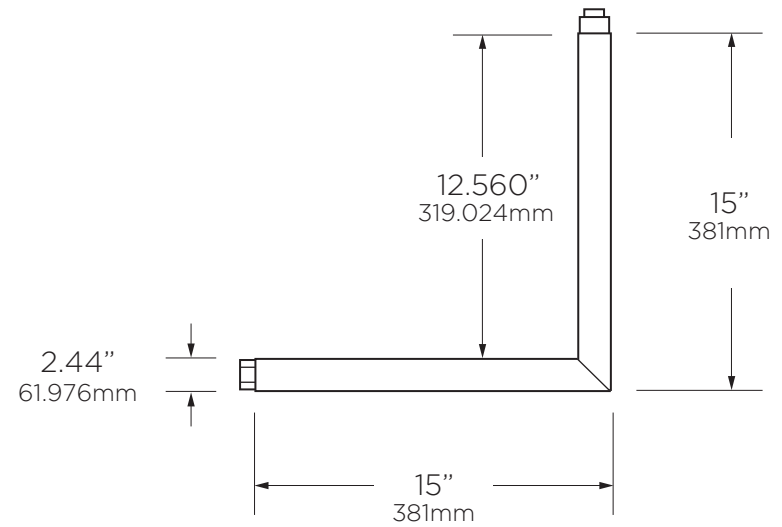
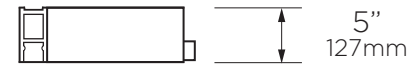
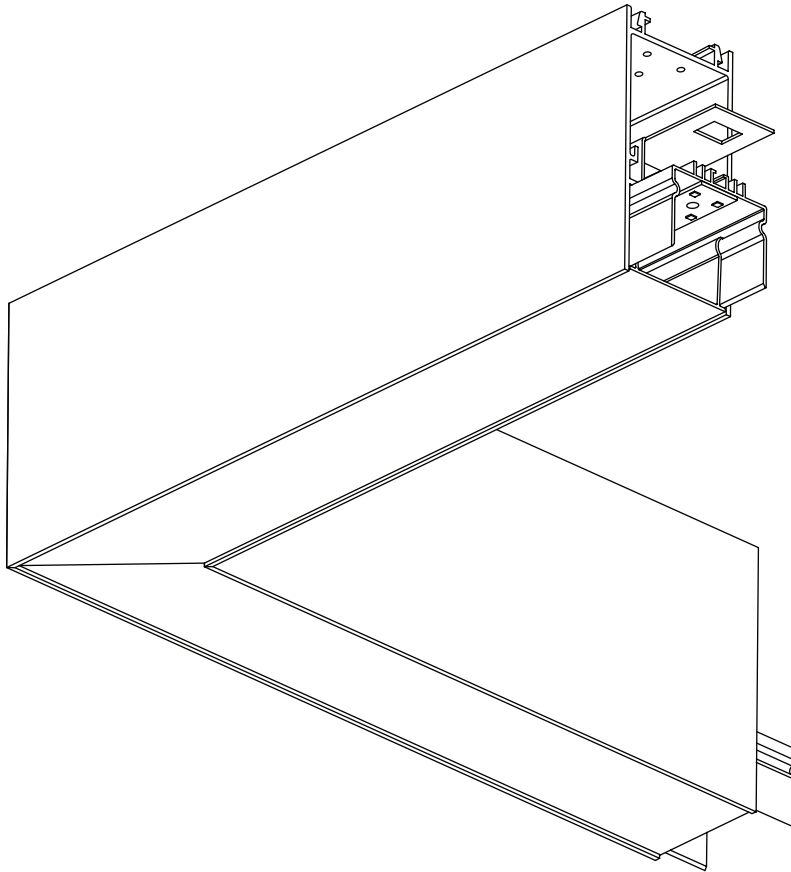
SUBMITTAL DRAWING - EL

VECTORTM

El Unit

Client _____ Project _____

Number _____ Type _____ Qty _____



SUBMITTAL DRAWING - TEE

VECTORTM

Tee Unit

Client _____ Project _____

Number _____ Type _____ Qty _____

