

SUBMITTAL DRAWING 9' CONTINUOUS RUN - PENDANT

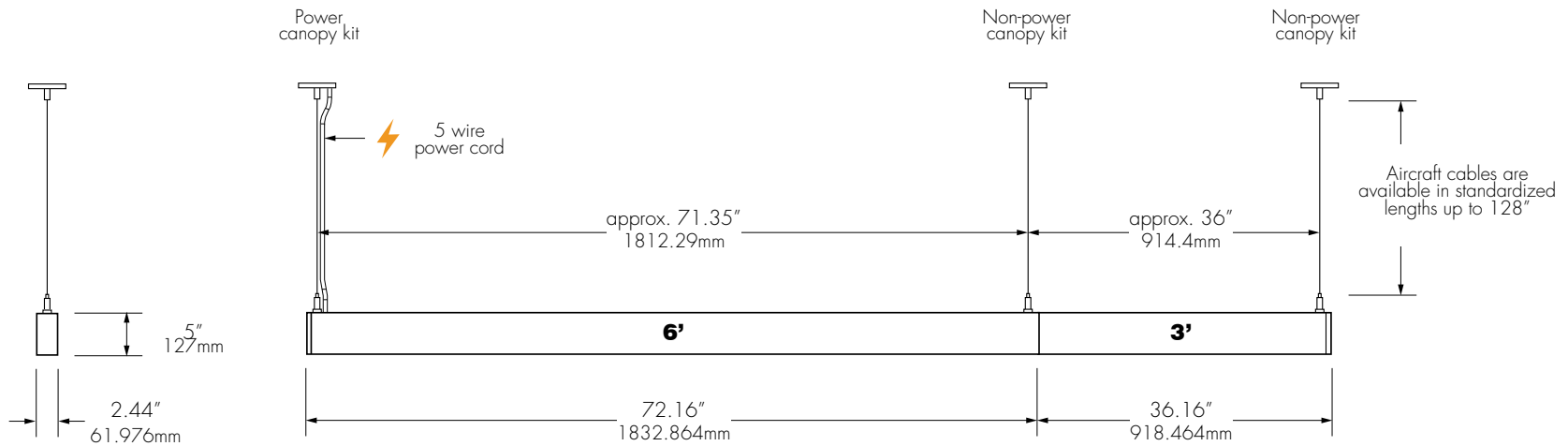
CLIENT _____

PROJECT _____

TYPE _____

QUANTITY _____

ORDERING INFORMATION _____



6' First of Run - Type 6A

3' End of Run - Type 3C

- Type 6A

- Type 3C

- Type 6A / EM (Battery Option)

- Type 3C / EM (Battery Option)

Output Down _____

CCT Down _____

Output Up _____

CCT Up _____

Finish _____

info@getdeco.com
t: 310.366.6866
f: 310.366.6855

www.getdeco.com
800.613.DECO (3326)
© Copyright Deco Lighting, Inc. 2017

SUBMITTAL DRAWING 10' CONTINUOUS RUN - PENDANT

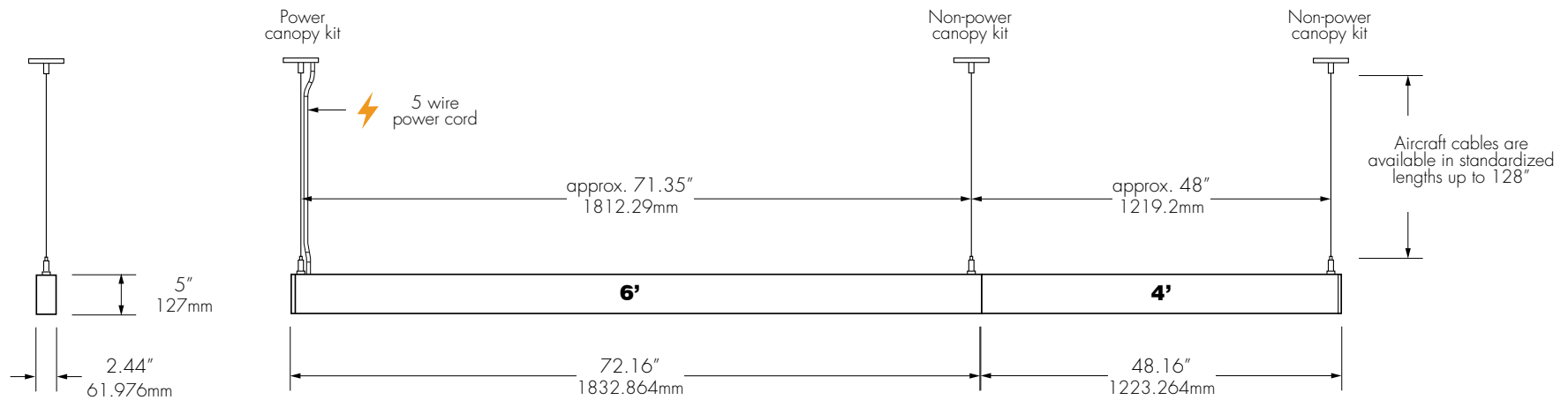
CLIENT _____

PROJECT _____

TYPE _____

QUANTITY _____

ORDERING INFORMATION _____



6' First of Run - Type 6A

4' End of Run - Type 4C

- Type 6A
- Type 6A / EM (Battery Option)

- Type 4C
- Type 4C / EM (Battery Option)

Output Down _____ CCT Down _____

Output Up _____ CCT Up _____ Finish _____

info@getdeco.com
t: 310.366.6866
f: 310.366.6855

www.getdeco.com
800.613.DECO (3326)
© Copyright Deco Lighting, Inc. 2017

SUBMITTAL DRAWING 11' CONTINUOUS RUN - PENDANT

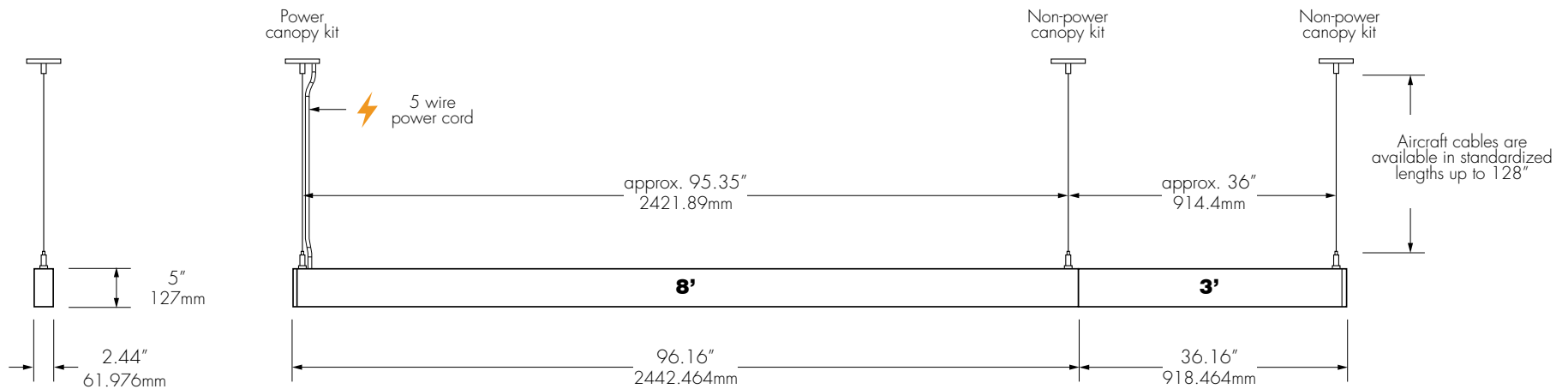
CLIENT _____

PROJECT _____

TYPE _____

QUANTITY _____

ORDERING INFORMATION _____



8' First of Run - Type 8A

3' End of Run - Type 3C

- Type 8A

- Type 3C

- Type 8A / EM (Battery Option)

- Type 3C / EM (Battery Option)

Output Down _____ CCT Down _____

Output Up _____ CCT Up _____ Finish _____

info@getdeco.com
t: 310.366.6866
f: 310.366.6855

www.getdeco.com
800.613.DECO (3326)
© Copyright Deco Lighting, Inc. 2017

SUBMITTAL DRAWING 12' CONTINUOUS RUN - PENDANT

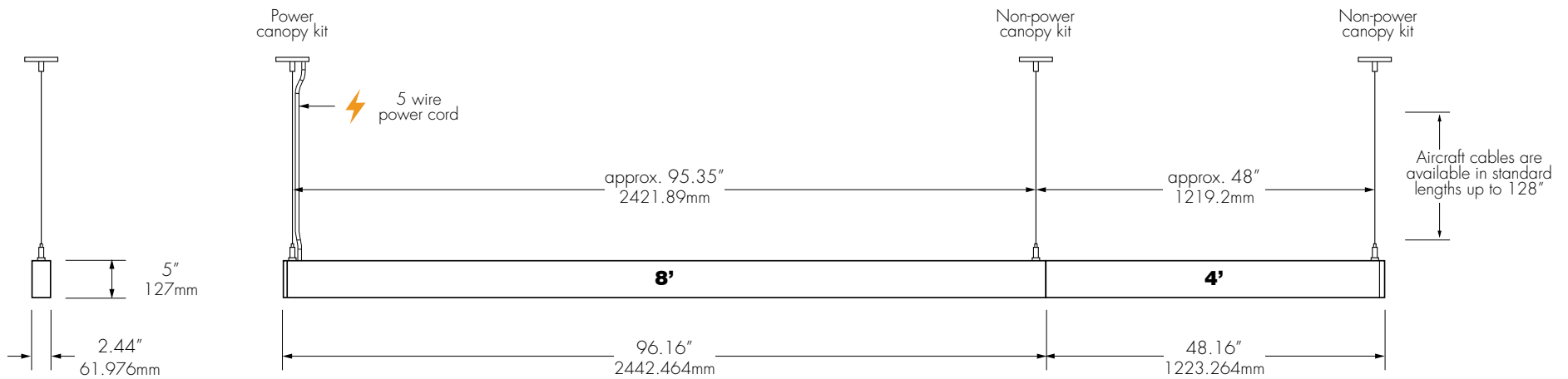
CLIENT _____

PROJECT _____

TYPE _____

QUANTITY _____

ORDERING INFORMATION _____



8' First of Run - Type 8A

4' End of Run - Type 4C

- Type 8A

- Type 4C

- Type 8A / EM (Battery Option)

- Type 4C / EM (Battery Option)

Output Down _____ CCT Down _____

Output Up _____ CCT Up _____ Finish _____

info@getdeco.com
t: 310.366.6866
f: 310.366.6855

www.getdeco.com
800.613.DECO (3326)
© Copyright Deco Lighting, Inc. 2017

SUBMITTAL DRAWING 12' CONTINUOUS RUN - PENDANT

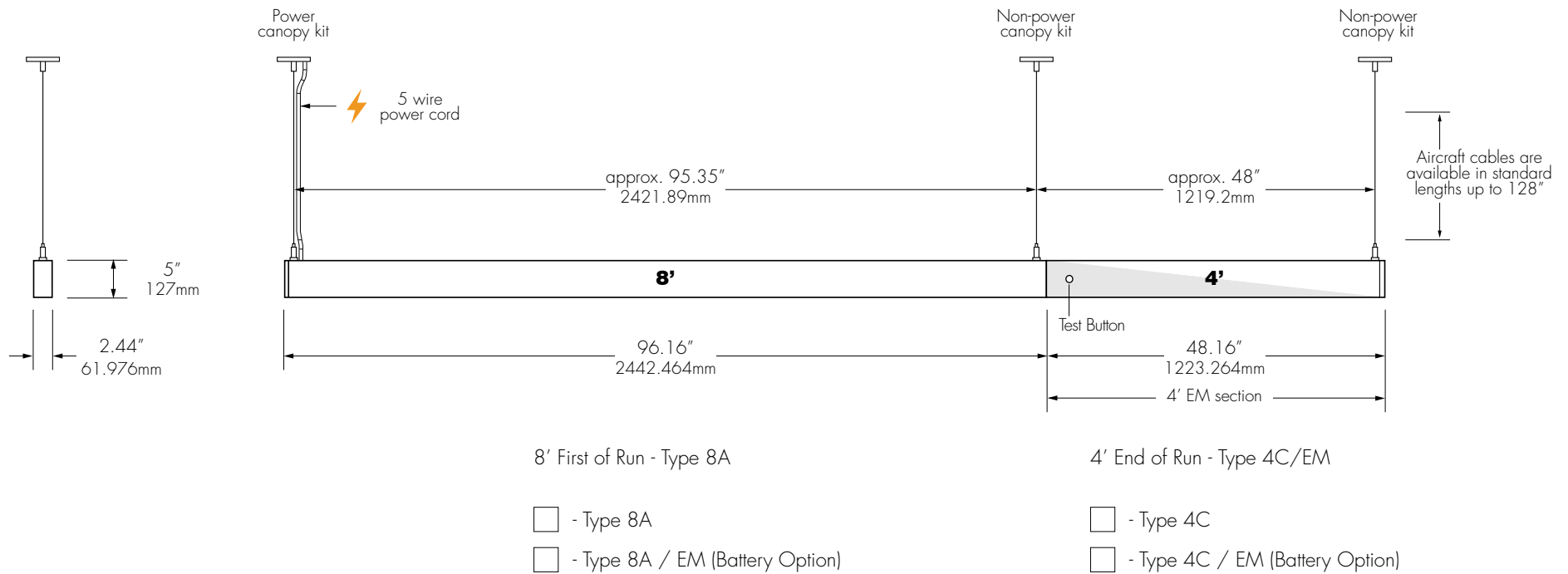
CLIENT _____

PROJECT _____

TYPE _____

QUANTITY _____

ORDERING INFORMATION _____



Output Down _____ CCT Down _____

Output Up _____ CCT Up _____ Finish _____

info@getdeco.com
t: 310.366.6866
f: 310.366.6855

www.getdeco.com
800.613.DECO (3326)
© Copyright Deco Lighting, Inc. 2017

SUBMITTAL DRAWING 13' CONTINUOUS RUN - PENDANT

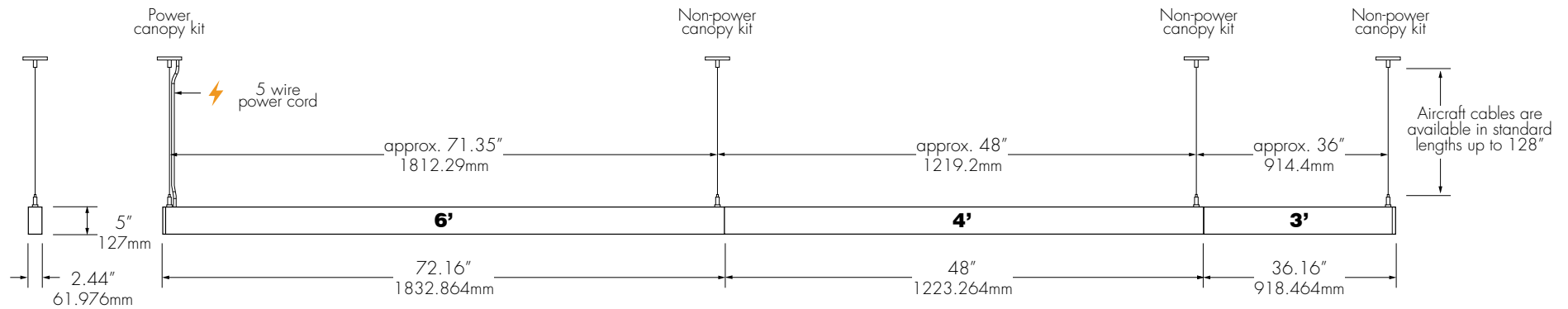
CLIENT _____

PROJECT _____

TYPE _____

QUANTITY _____

ORDERING INFORMATION _____



6' First of Run - Type 6A

4' Middle of Run - Type 4B

3' End of Run - Type 3C

- Type 6A

- Type 4B

- Type 3C

- Type 6A / EM (Battery Option)

- Type 4B / EM (Battery Option)

- Type 3C / EM (Battery Option)

Output Down _____ CCT Down _____

Output Up _____ CCT Up _____ Finish _____

info@getdeco.com
t: 310.366.6866
f: 310.366.6855

www.getdeco.com
800.613.DECO (3326)
© Copyright Deco Lighting, Inc. 2017

SUBMITTAL DRAWING 14' CONTINUOUS RUN - PENDANT

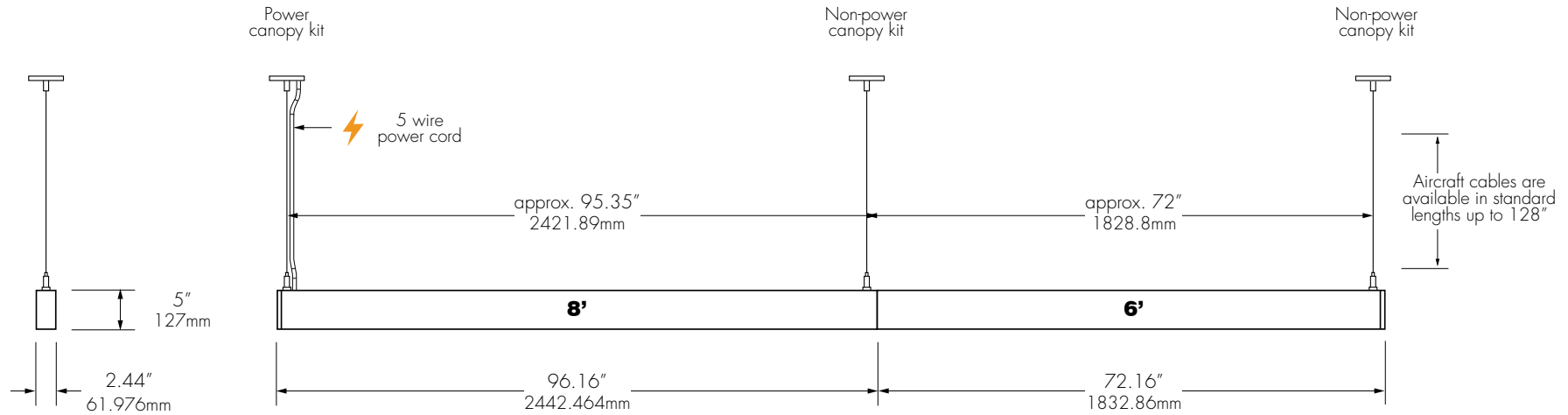
CLIENT _____

PROJECT _____

TYPE _____

QUANTITY _____

ORDERING INFORMATION _____



8' First of Run - Type 8A

6' End of Run - Type 6C

- Type 8A

- Type 6C

- Type 8A / EM (Battery Option)

- Type 6C / EM (Battery Option)

Output Down _____

CCT Down _____

Output Up _____

CCT Up _____

Finish _____

info@getdeco.com
t: 310.366.6866
f: 310.366.6855

www.getdeco.com
800.613.DECO (3326)
© Copyright Deco Lighting, Inc. 2017

SUBMITTAL DRAWING 15' CONTINUOUS RUN - PENDANT

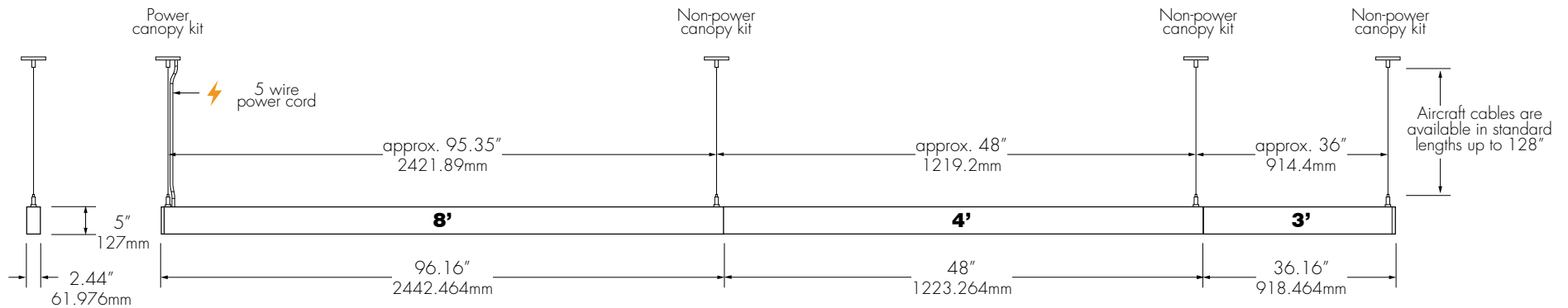
CLIENT _____

PROJECT _____

TYPE _____

QUANTITY _____

ORDERING INFORMATION _____



8' First of Run - Type 8A

4' Middle of Run - Type 4B

3' End of Run - Type 3C

- Type 8A

- Type 4B

- Type 3C

- Type 8A / EM (Battery Option)

- Type 4B / EM (Battery Option)

- Type 3C / EM (Battery Option)

Output Down _____ CCT Down _____

Output Up _____ CCT Up _____ Finish _____

info@getdeco.com
t: 310.366.6866
f: 310.366.6855

www.getdeco.com
800.613.DECO (3326)
© Copyright Deco Lighting, Inc. 2017

SUBMITTAL DRAWING 16' CONTINUOUS RUN - PENDANT

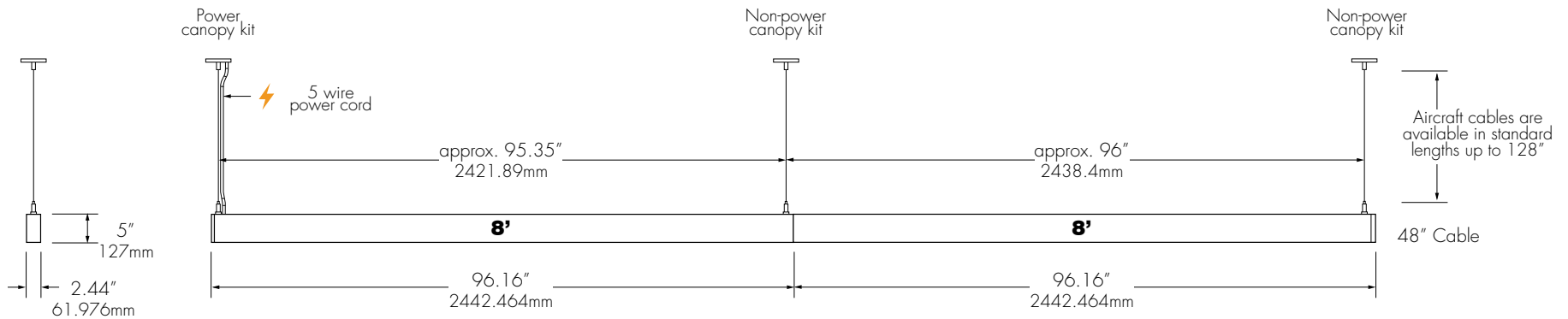
CLIENT _____

PROJECT _____

TYPE _____

QUANTITY _____

ORDERING INFORMATION _____



8' First of Run - Type 8A

8' End of Run - Type 8C

- Type 8A

- Type 8C

- Type 8A / EM (Battery Option)

- Type 8C / EM (Battery Option)

Output Down _____ CCT Down _____

Output Up _____ CCT Up _____ Finish _____

info@getdeco.com
t: 310.366.6866
f: 310.366.6855

www.getdeco.com
800.613.DECO (3326)
© Copyright Deco Lighting, Inc. 2017

SUBMITTAL DRAWING 16' CONTINUOUS RUN - PENDANT

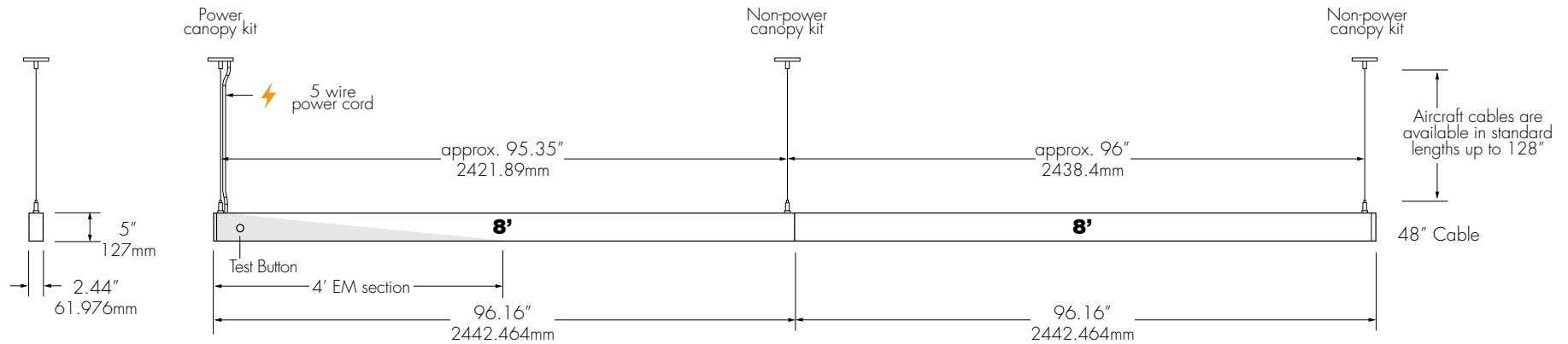
CLIENT _____

PROJECT _____

TYPE _____

QUANTITY _____

ORDERING INFORMATION _____



8' First of Run - Type 8A/EM

8' End of Run - Type 8C

- Type 8A
- Type 8A / EM (Battery Option)

- Type 8C
- Type 8C / EM (Battery Option)

Output Down _____ CCT Down _____

Output Up _____ CCT Up _____ Finish _____

info@getdeco.com
t: 310.366.6866
f: 310.366.6855

www.getdeco.com
800.613.DECO (3326)
© Copyright Deco Lighting, Inc. 2017

SUBMITTAL DRAWING 17' CONTINUOUS RUN - PENDANT

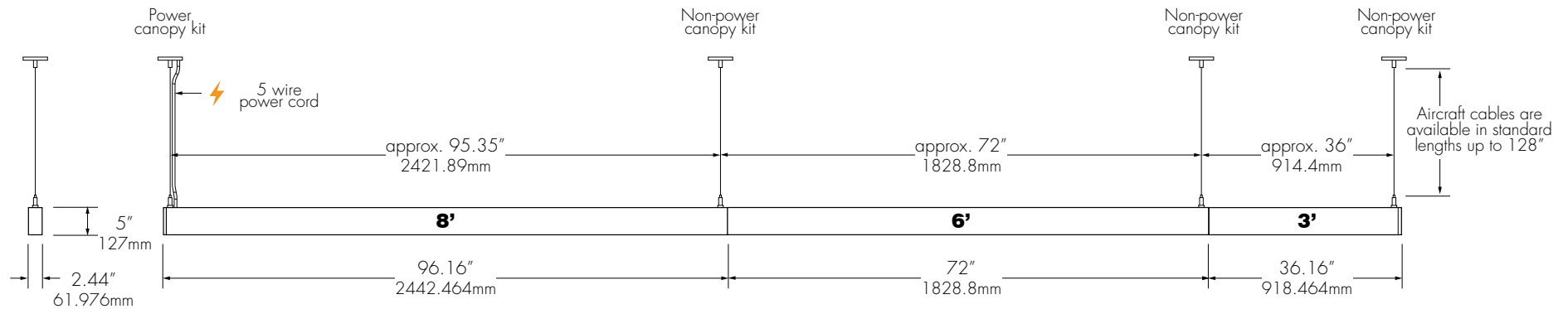
CLIENT _____

PROJECT _____

TYPE _____

QUANTITY _____

ORDERING INFORMATION _____



8' First of Run - Type 8A

6' Middle of Rub - Type 6B

3' End of Run - Type 3C

- Type 8A

- Type 6B

- Type 3C

- Type 8A / EM (Battery Option)

- Type 6B / EM (Battery Option)

- Type 3C / EM (Battery Option)

Output Down _____ CCT Down _____

Output Up _____ CCT Up _____ Finish _____

info@getdeco.com
t: 310.366.6866
f: 310.366.6855

www.getdeco.com
800.613.DECO (3326)
© Copyright Deco Lighting, Inc. 2017

SUBMITTAL DRAWING 18' CONTINUOUS RUN - PENDANT

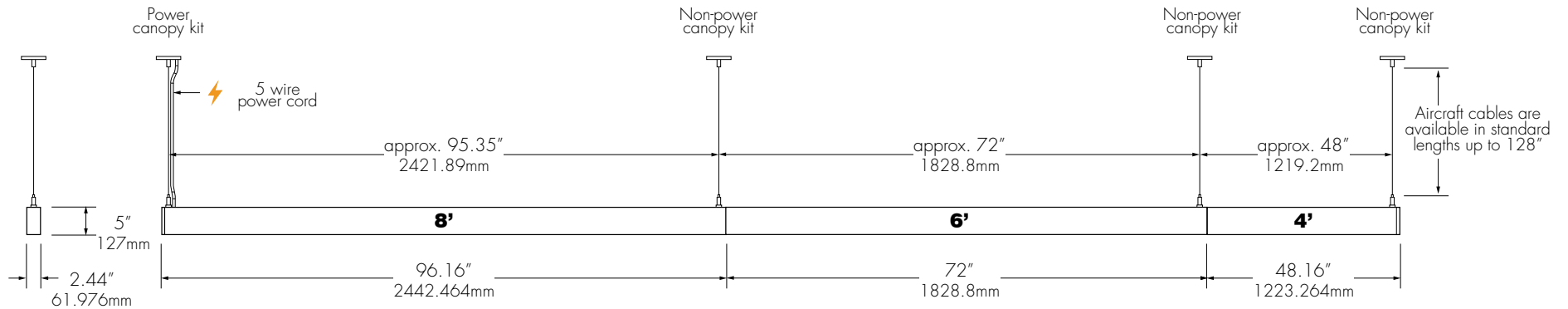
CLIENT _____

PROJECT _____

TYPE _____

QUANTITY _____

ORDERING INFORMATION _____



8' First of Run - Type 8A

6' Middle of Run - Type 6B

4' End of Run - Type 4C

- Type 8A

- Type 6B

- Type 4C

- Type 8A / EM (Battery Option)

- Type 6B / EM (Battery Option)

- Type 4C / EM (Battery Option)

Output Down _____ CCT Down _____

Output Up _____ CCT Up _____ Finish _____

info@getdeco.com
t: 310.366.6866
f: 310.366.6855

www.getdeco.com
800.613.DECO (3326)
© Copyright Deco Lighting, Inc. 2017

SUBMITTAL DRAWING 19' CONTINUOUS RUN - PENDANT

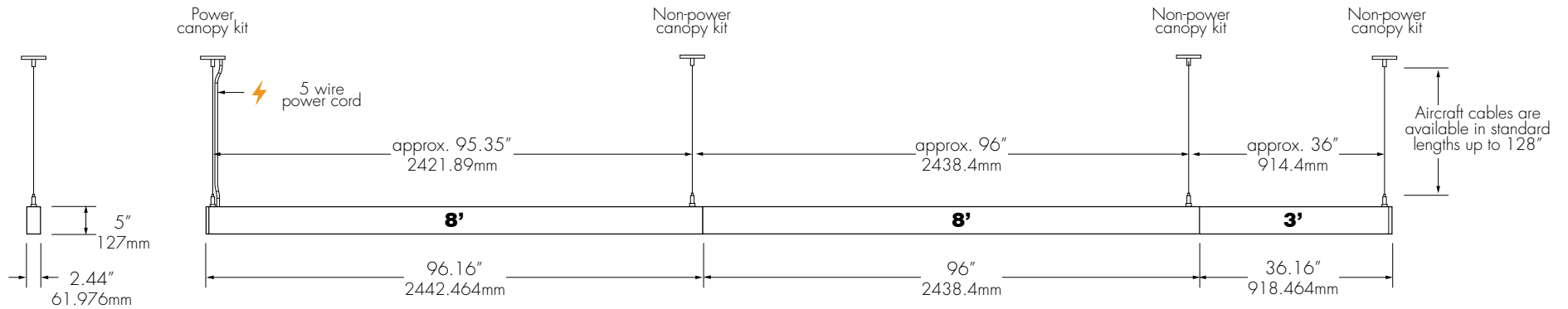
CLIENT _____

PROJECT _____

TYPE _____

QUANTITY _____

ORDERING INFORMATION _____



8' First of Run - Type 8A

8' Middle of Run - Type 8B

3' End of Run - Type 3C

- Type 8A

- Type 8B

- Type 3C

- Type 8A / EM (Battery Option)

- Type 8B / EM (Battery Option)

- Type 3C / EM (Battery Option)

Output Down _____

CCT Down _____

Output Up _____

CCT Up _____

Finish _____

info@getdeco.com
t: 310.366.6866
f: 310.366.6855

www.getdeco.com
800.613.DECO (3326)
© Copyright Deco Lighting, Inc. 2017

SUBMITTAL DRAWING 20' CONTINUOUS RUN - PENDANT

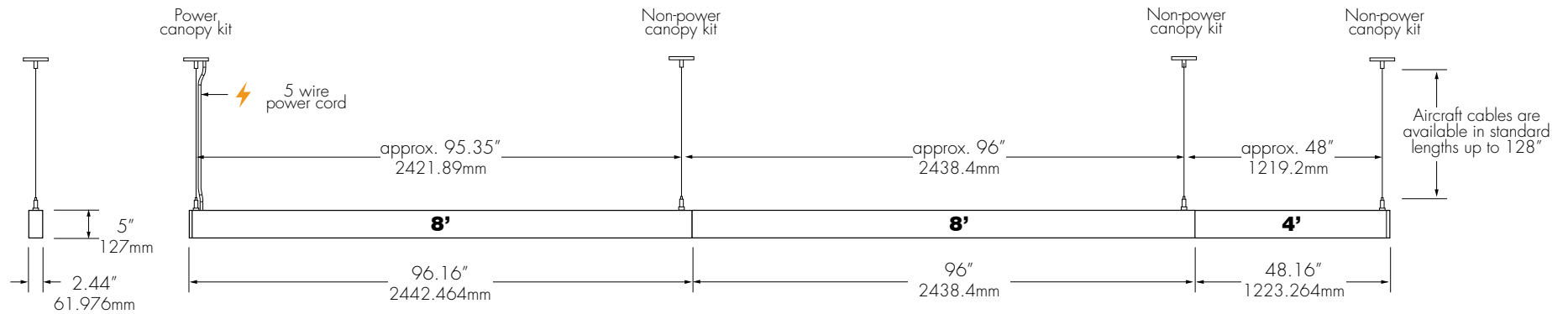
CLIENT _____

PROJECT _____

TYPE _____

QUANTITY _____

ORDERING INFORMATION _____



8' First of Run - Type 8A

8' Middle of Run - Type 8B

4' End of Run - Type 4C

- Type 8A

- Type 8B

- Type 4C

- Type 8A / EM (Battery Option)

- Type 8B / EM (Battery Option)

- Type 4C / EM (Battery Option)

Output Down _____

CCT Down _____

Output Up _____

CCT Up _____

Finish _____

info@getdeco.com
t: 310.366.6866
f: 310.366.6855

www.getdeco.com
800.613.DECO (3326)
© Copyright Deco Lighting, Inc. 2017

SUBMITTAL DRAWING 20' CONTINUOUS RUN - PENDANT

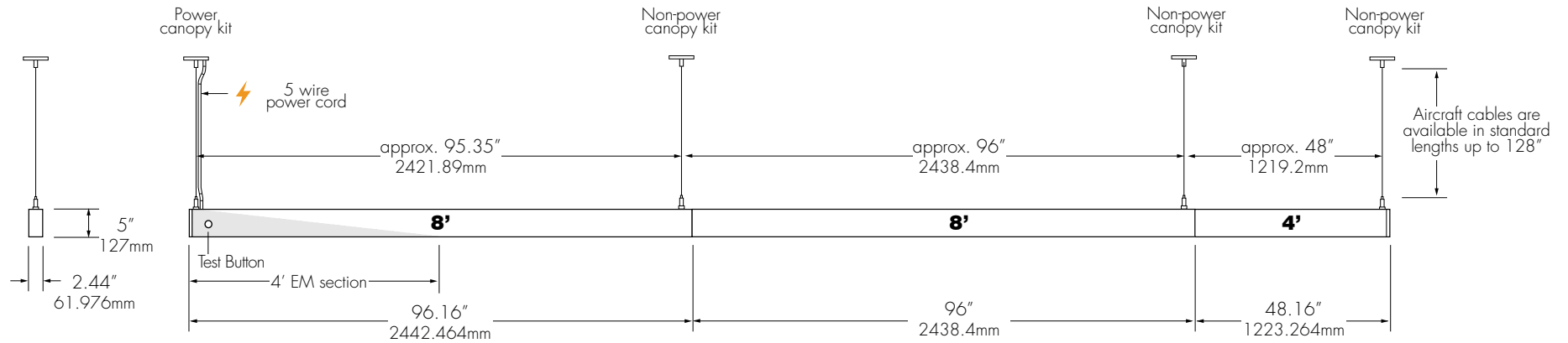
CLIENT _____

PROJECT _____

TYPE _____

QUANTITY _____

ORDERING INFORMATION _____



8' First of Run - Type 8A/EM

8' Middle of Run - Type 8B

4' End of Run - Type 4C

- Type 8A

- Type 8B

- Type 4C

- Type 8A / EM (Battery Option)

- Type 8B / EM (Battery Option)

- Type 4C / EM (Battery Option)

Output Down _____

CCT Down _____

Output Up _____

CCT Up _____

Finish _____

info@getdeco.com
t: 310.366.6866
f: 310.366.6855

www.getdeco.com
800.613.DECO (3326)
© Copyright Deco Lighting, Inc. 2017

SUBMITTAL DRAWING 20' CONTINUOUS RUN - PENDANT

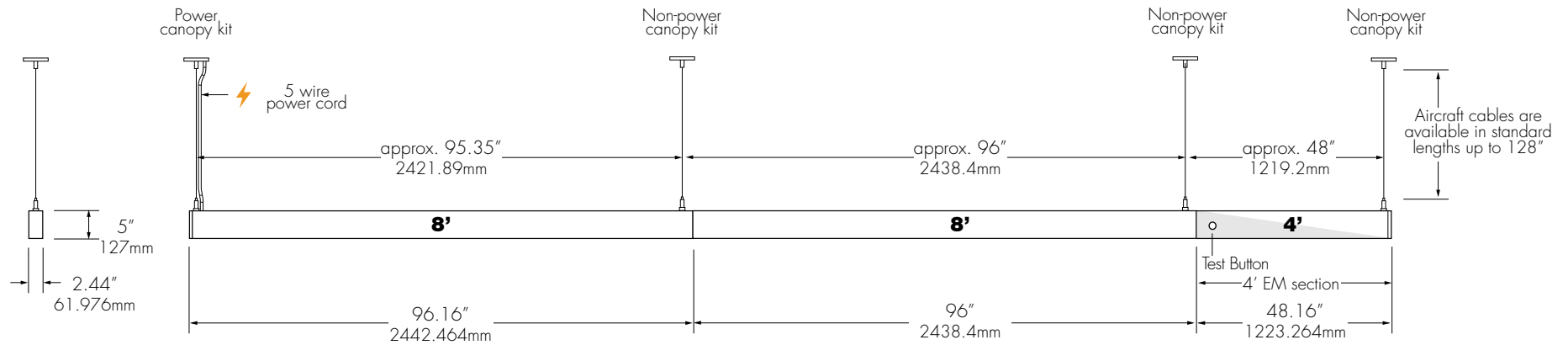
CLIENT _____

PROJECT _____

TYPE _____

QUANTITY _____

ORDERING INFORMATION _____



8' First of Run - Type 8A/EM

8' Middle of Run - Type 8B

4' End of Run - Type 4C/EM

- Type 8A

- Type 8B

- Type 4C

- Type 8A / EM (Battery Option)

- Type 8B / EM (Battery Option)

- Type 4C / EM (Battery Option)

Output Down _____

CCT Down _____

Output Up _____

CCT Up _____

Finish _____

info@getdeco.com
t: 310.366.6866
f: 310.366.6855

www.getdeco.com
800.613.DECO (3326)
© Copyright Deco Lighting, Inc. 2017

SUBMITTAL DRAWING 21' CONTINUOUS RUN - PENDANT

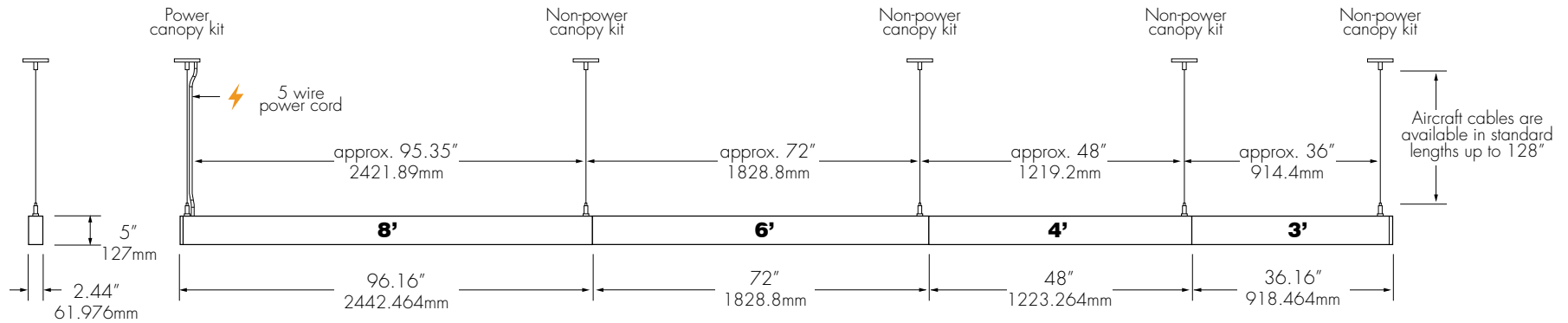
CLIENT _____

PROJECT _____

TYPE _____

QUANTITY _____

ORDERING INFORMATION _____



8' First of Run - Type 8A

- Type 8A
- Type 8A / EM (Battery Option)

6' Middle of Run - Type 6B

- Type 6B
- Type 6B / EM (Battery Option)

4' Middle of Run - Type 4B

- Type 4B
- Type 4B / EM (Battery Option)

3' End of Run - Type 3C

- Type 3C
- Type 3C / EM (Battery Option)

Output Down _____ CCT Down _____

Output Up _____ CCT Up _____ Finish _____

info@getdeco.com
t: 310.366.6866
f: 310.366.6855

www.getdeco.com
800.613.DECO (3326)
© Copyright Deco Lighting, Inc. 2017

SUBMITTAL DRAWING 22' CONTINUOUS RUN - PENDANT

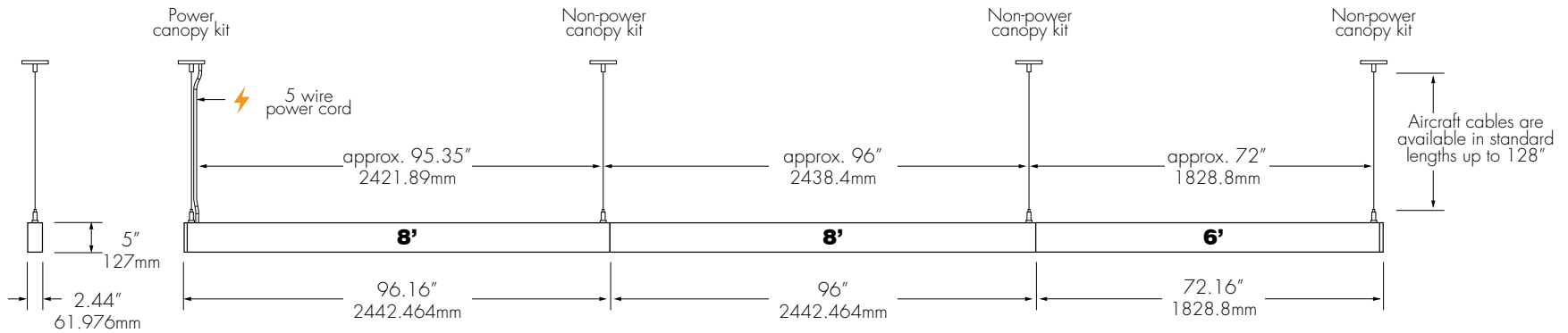
CLIENT _____

PROJECT _____

TYPE _____

QUANTITY _____

ORDERING INFORMATION _____



8' First of Run - Type 8A

8' Middle of Run - Type 8B

6' End of Run - Type 6C

Type 8A

Type 8B

Type 6C

Type 8A / EM (Battery Option)

Type 8B / EM (Battery Option)

Type 6C / EM (Battery Option)

Output Down _____

CCT Down _____

Output Up _____

CCT Up _____

Finish _____

info@getdeco.com
t: 310.366.6866
f: 310.366.6855

www.getdeco.com
800.613.DECO (3326)
© Copyright Deco Lighting, Inc. 2017

SUBMITTAL DRAWING 23' CONTINUOUS RUN - PENDANT

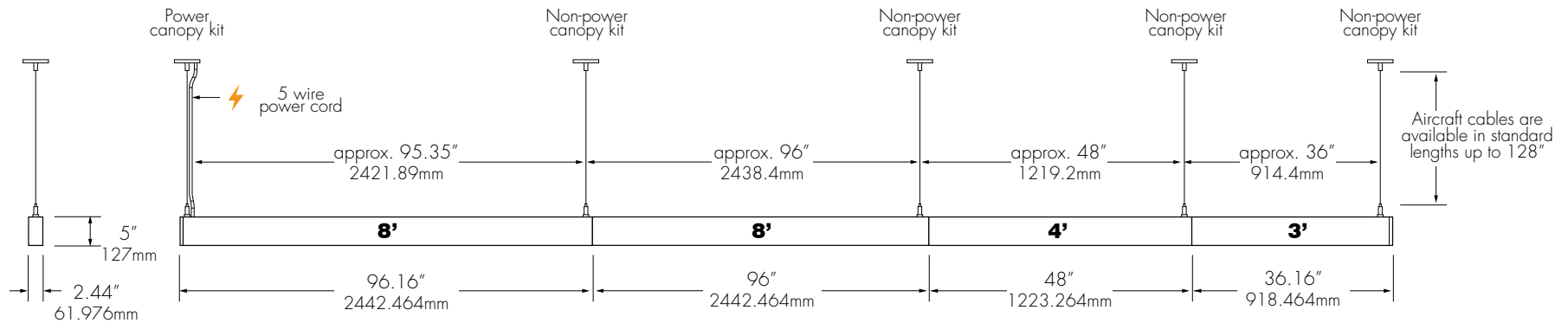
CLIENT _____

PROJECT _____

TYPE _____

QUANTITY _____

ORDERING INFORMATION _____



8' First of Run - Type 8A

- Type 8A
- Type 8A / EM (Battery Option)

8' Middle of Run - Type 8B

- Type 8B
- Type 8B / EM (Battery Option)

4' Middle of Run - Type 4B

- Type 4B
- Type 4B / EM (Battery Option)

3' End of Run - Type 3C

- Type 3C
- Type 3C / EM (Battery Option)

Output Down _____ CCT Down _____

Output Up _____ CCT Up _____ Finish _____

info@getdeco.com
t: 310.366.6866
f: 310.366.6855

www.getdeco.com
800.613.DECO (3326)
© Copyright Deco Lighting, Inc. 2017

SUBMITTAL DRAWING 24' CONTINUOUS RUN - PENDANT

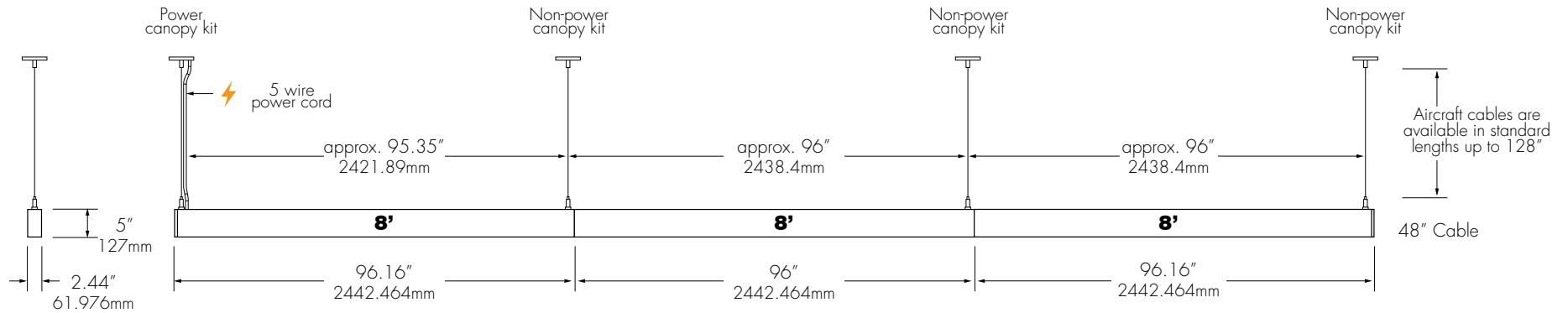
CLIENT _____

PROJECT _____

TYPE _____

QUANTITY _____

ORDERING INFORMATION _____



8' First of Run - Type 8A

8' Middle of Run - Type 8B

8' Middle of Run - Type 8C

Type 8A

Type 8B

Type 8C

Type 8A / EM (Battery Option)

Type 8B / EM (Battery Option)

Type 8C / EM (Battery Option)

Output Down _____

CCT Down _____

Output Up _____

CCT Up _____

Finish _____

info@getdeco.com
t: 310.366.6866
f: 310.366.6855

www.getdeco.com
800.613.DECO (3326)
© Copyright Deco Lighting, Inc. 2017

SUBMITTAL DRAWING 24' CONTINUOUS RUN - PENDANT

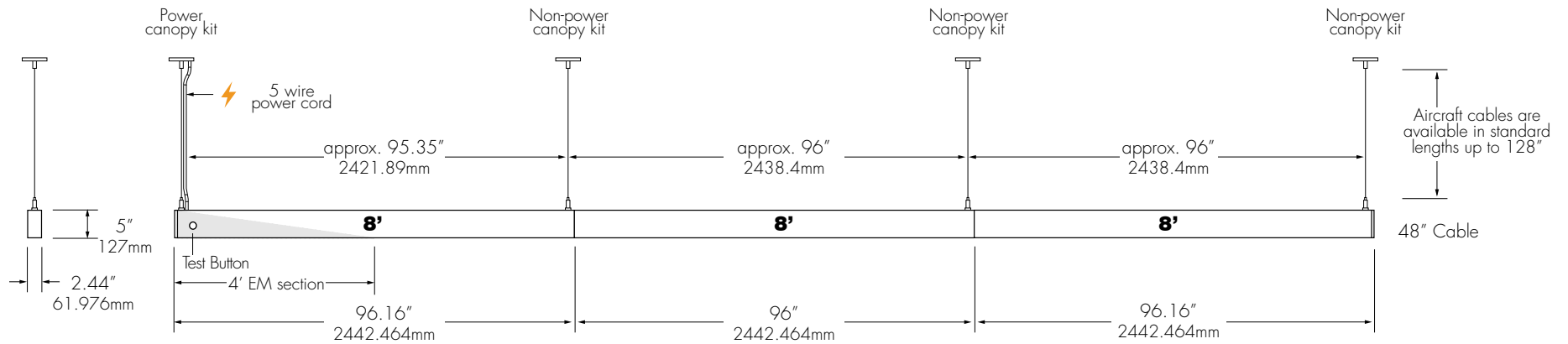
CLIENT _____

PROJECT _____

TYPE _____

QUANTITY _____

ORDERING INFORMATION _____



8' First of Run - Type 8A/EM

8' Middle of Run - Type 8B

8' Middle of Run - Type 8C

Type 8A

Type 8B

Type 8C

Type 8A / EM (Battery Option)

Type 8B / EM (Battery Option)

Type 8C / EM (Battery Option)

Output Down _____ CCT Down _____

Output Up _____ CCT Up _____ Finish _____

info@getdeco.com
t: 310.366.6866
f: 310.366.6855

www.getdeco.com
800.613.DECO (3326)
© Copyright Deco Lighting, Inc. 2017

SUBMITTAL DRAWING 25' CONTINUOUS RUN - PENDANT

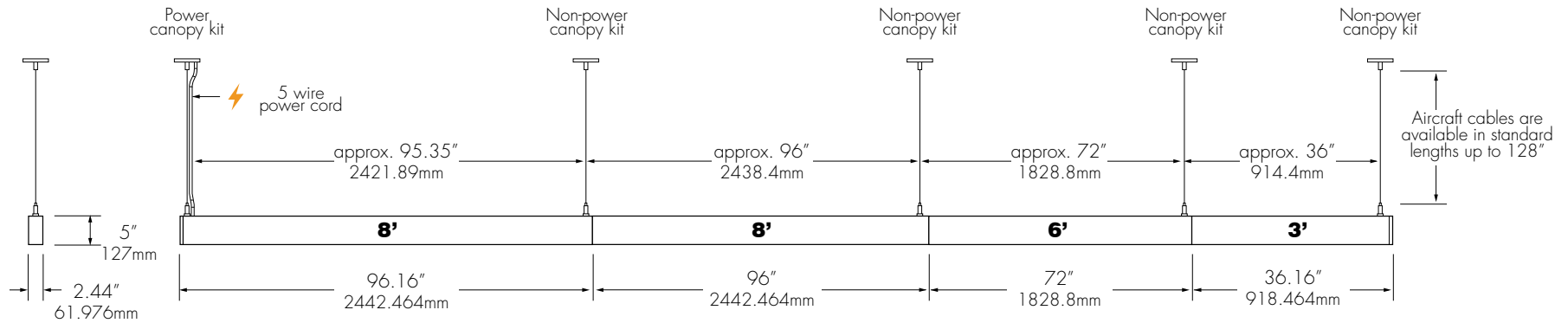
CLIENT _____

PROJECT _____

TYPE _____

QUANTITY _____

ORDERING INFORMATION _____



8' First of Run - Type 8A

- Type 8A
- Type 8A / EM (Battery Option)

8' Middle of Run - Type 8B

- Type 8B
- Type 8B / EM (Battery Option)

6' Middle of Run - Type 6B

- Type 6B
- Type 6B / EM (Battery Option)

3' End of Run - Type 3C

- Type 3C
- Type 3C / EM (Battery Option)

Output Down _____ CCT Down _____

Output Up _____ CCT Up _____ Finish _____

info@getdeco.com
t: 310.366.6866
f: 310.366.6855

www.getdeco.com
800.613.DECO (3326)
© Copyright Deco Lighting, Inc. 2017

SUBMITTAL DRAWING 26' CONTINUOUS RUN - PENDANT

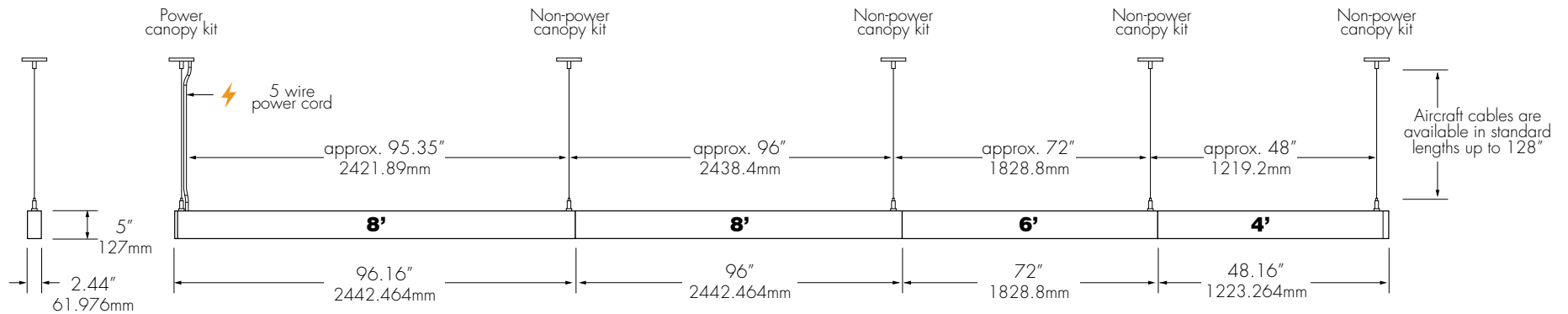
CLIENT _____

PROJECT _____

TYPE _____

QUANTITY _____

ORDERING INFORMATION _____



8' First of Run - Type 8A

- Type 8A
- Type 8A / EM (Battery Option)

8' Middle of Run - Type 8B

- Type 8B
- Type 8B / EM (Battery Option)

6' Middle of Run - Type 6B

- Type 6B
- Type 6B / EM (Battery Option)

4' End of Run - Type 4C

- Type 4C
- Type 4C / EM (Battery Option)

Output Down _____ CCT Down _____

Output Up _____ CCT Up _____ Finish _____

info@getdeco.com
t: 310.366.6866
f: 310.366.6855

www.getdeco.com
800.613.DECO (3326)
© Copyright Deco Lighting, Inc. 2017

SUBMITTAL DRAWING 27' CONTINUOUS RUN - PENDANT

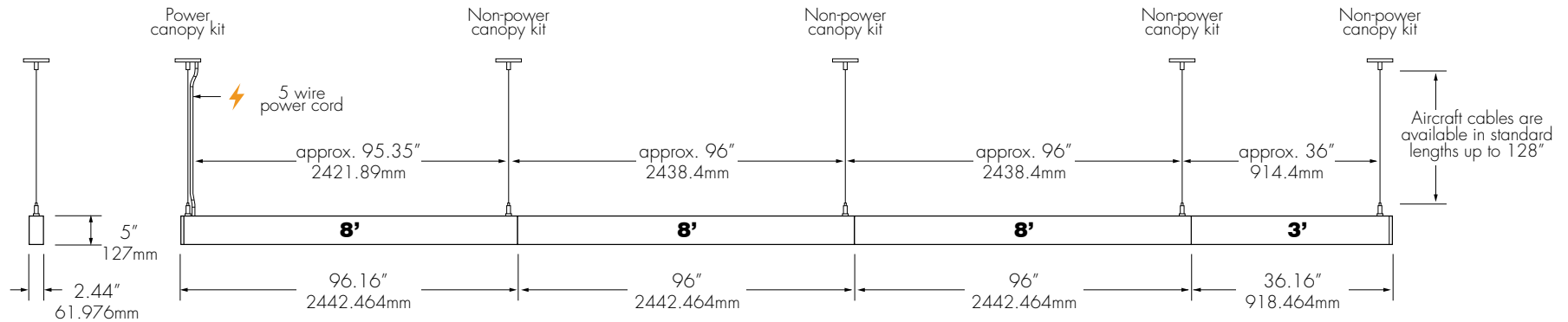
CLIENT _____

PROJECT _____

TYPE _____

QUANTITY _____

ORDERING INFORMATION _____



8' First of Run - Type 8A

Type 8A

Type 8A / EM (Battery Option)

8' Middle of Run - Type 8B

Type 8B

Type 8B / EM (Battery Option)

8' Middle of Run - Type 8B

Type 8B

Type 8B / EM (Battery Option)

3' End of Run - Type 3C

Type 3C

Type 3C / EM (Battery Option)

Output Down _____

CCT Down _____

Output Up _____

CCT Up _____

Finish _____

info@getdeco.com
t: 310.366.6866
f: 310.366.6855

www.getdeco.com
800.613.DECO (3326)
© Copyright Deco Lighting, Inc. 2017

SUBMITTAL DRAWING 28' CONTINUOUS RUN - PENDANT

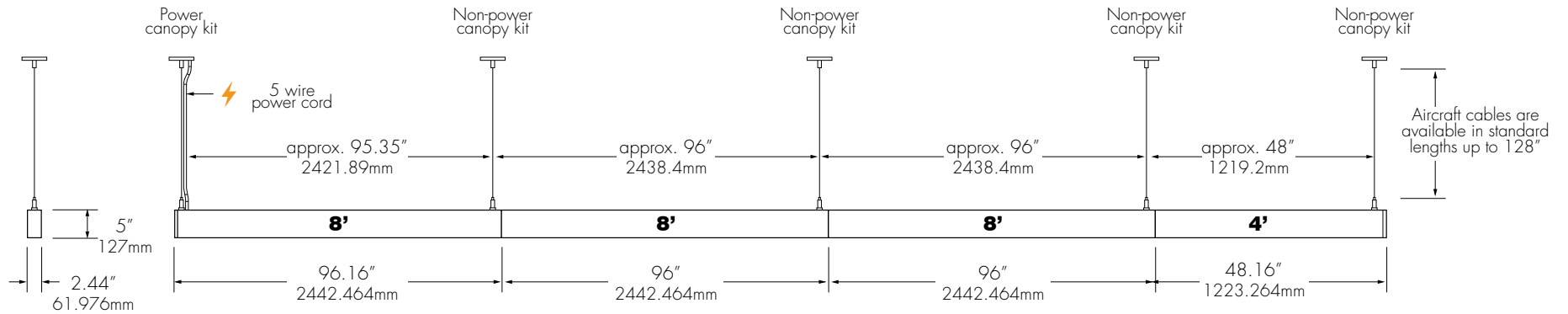
CLIENT _____

PROJECT _____

TYPE _____

QUANTITY _____

ORDERING INFORMATION _____



8' First of Run - Type 8A

Type 8A

Type 8A / EM (Battery Option)

8' Middle of Run - Type 8B

Type 8B

Type 8B / EM (Battery Option)

8' Middle of Run - Type 8B

Type 8B

Type 8B / EM (Battery Option)

4' End of Run
- Type 4C

Type 4C

Type 4C / EM
(Battery Option)

Output Down _____ CCT Down _____

Output Up _____ CCT Up _____ Finish _____

info@getdeco.com
t: 310.366.6866
f: 310.366.6855

www.getdeco.com
800.613.DECO (3326)
© Copyright Deco Lighting, Inc. 2017

SUBMITTAL DRAWING 28' CONTINUOUS RUN - PENDANT

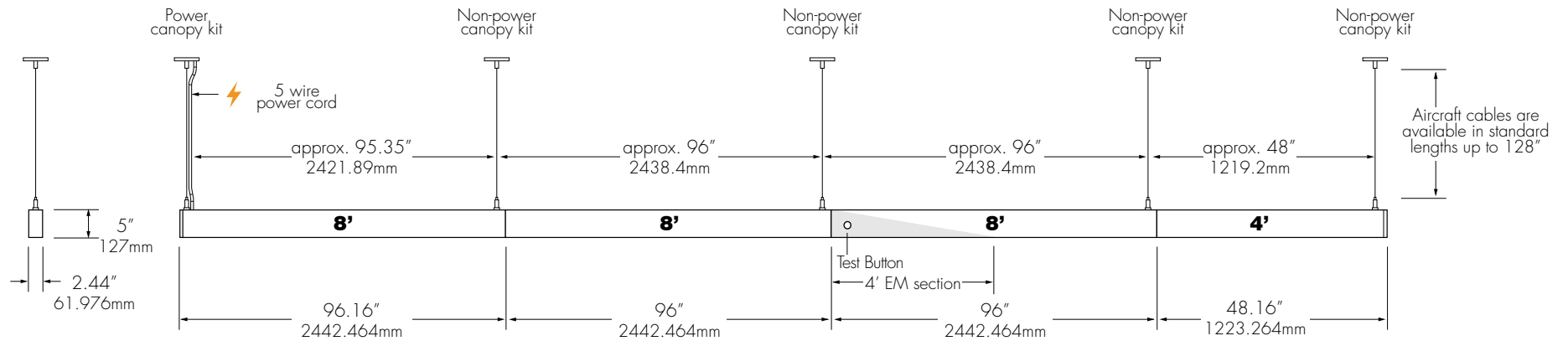
CLIENT _____

PROJECT _____

TYPE _____

QUANTITY _____

ORDERING INFORMATION _____



8' First of Run - Type 8A

Type 8A

Type 8A / EM (Battery Option)

8' Middle of Run - Type 8B

Type 8B

Type 8B / EM (Battery Option)

8' Middle of Run - Type 8B/EM

Type 8B

Type 8B / EM (Battery Option)

4' End of Run - Type 4C

Type 4C

Type 4C / EM (Battery Option)

Output Down _____ CCT Down _____

Output Up _____ CCT Up _____ Finish _____

info@getdeco.com
t: 310.366.6866
f: 310.366.6855

www.getdeco.com
800.613.DECO (3326)
© Copyright Deco Lighting, Inc. 2017

SUBMITTAL DRAWING 29' CONTINUOUS RUN - PENDANT

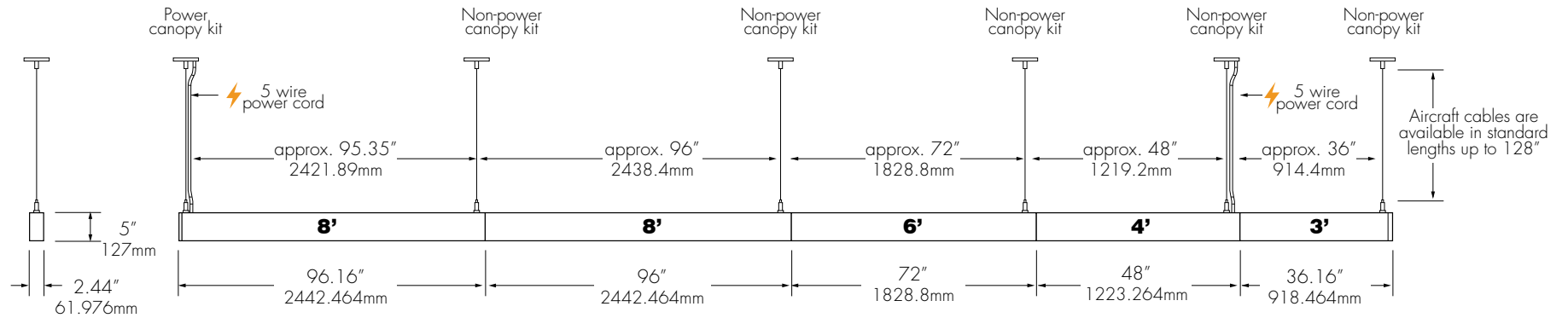
CLIENT _____

PROJECT _____

TYPE _____

QUANTITY _____

ORDERING INFORMATION _____



8' First of Run
- Type 8A

Type 8A

Type 8A / EM
(Battery Option)

8' Middle of Run
- Type 8B

Type 8B

Type 8B / EM
(Battery Option)

6' Middle of Run
- Type 6B

Type 6B

Type 6B / EM
(Battery Option)

4' Middle of Run
- Type 4B

Type 4B

Type 4B / EM
(Battery Option)

3' End of Run
- Type 3C

Type 3C

Type 3C / EM
(Battery Option)

Output Down _____

CCT Down _____

Output Up _____

CCT Up _____

Finish _____

info@getdeco.com
t: 310.366.6866
f: 310.366.6855

www.getdeco.com
800.613.DECO (3326)
© Copyright Deco Lighting, Inc. 2017

SUBMITTAL DRAWING 30' CONTINUOUS RUN - PENDANT

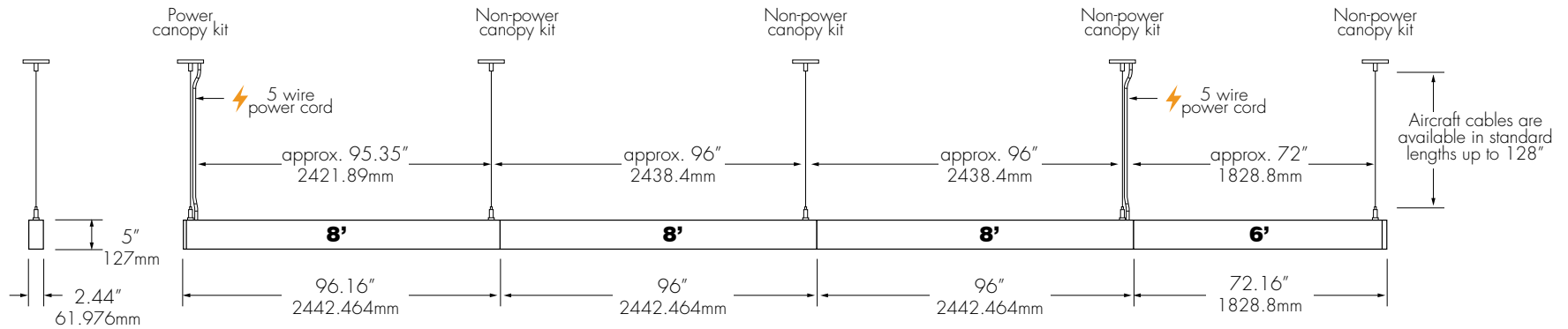
CLIENT _____

PROJECT _____

TYPE _____

QUANTITY _____

ORDERING INFORMATION _____



8' First of Run
- Type 8A

- Type 8A
- Type 8A / EM
(Battery Option)

8' Middle of Run
- Type 8B

- Type 8B
- Type 8B / EM
(Battery Option)

8' Middle of Run
- Type 8B

- Type 8B
- Type 8B / EM
(Battery Option)

6' End of Run
- Type 6C

- Type 6C
- Type 6C / EM
(Battery Option)

Output Down _____

CCT Down _____

Output Up _____

CCT Up _____

Finish _____

info@getdeco.com
t: 310.366.6866
f: 310.366.6855

www.getdeco.com
800.613.DECO (3326)
© Copyright Deco Lighting, Inc. 2017

SUBMITTAL DRAWING 31' CONTINUOUS RUN - PENDANT

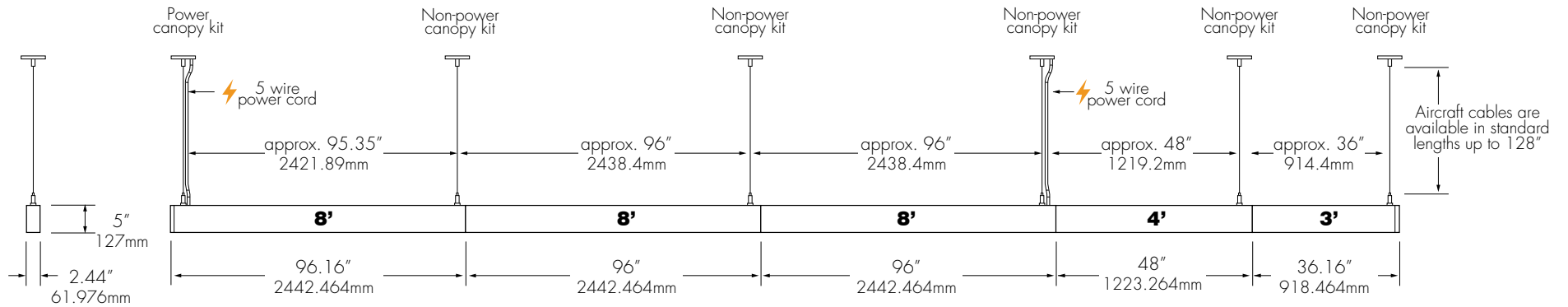
CLIENT _____

PROJECT _____

TYPE _____

QUANTITY _____

ORDERING INFORMATION _____



8' First of Run
- Type 8B

- Type 8B
- Type 8B / EM
(Battery Option)

8' Middle of Run
- Type 8B

- Type 8B
- Type 8B / EM
(Battery Option)

8' Middle of Run
- Type 8B

- Type 8B
- Type 8B / EM
(Battery Option)

4' Middle of Run
- Type 4B

- Type 4B
- Type 4B / EM
(Battery Option)

3' End of Run
- Type 3C

- Type 3C
- Type 3C / EM
(Battery Option)

Output Down _____ CCT Down _____

Output Up _____ CCT Up _____ Finish _____

info@getdeco.com
t: 310.366.6866
f: 310.366.6855

www.getdeco.com
800.613.DECO (3326)
© Copyright Deco Lighting, Inc. 2017

SUBMITTAL DRAWING 32' CONTINUOUS RUN - PENDANT

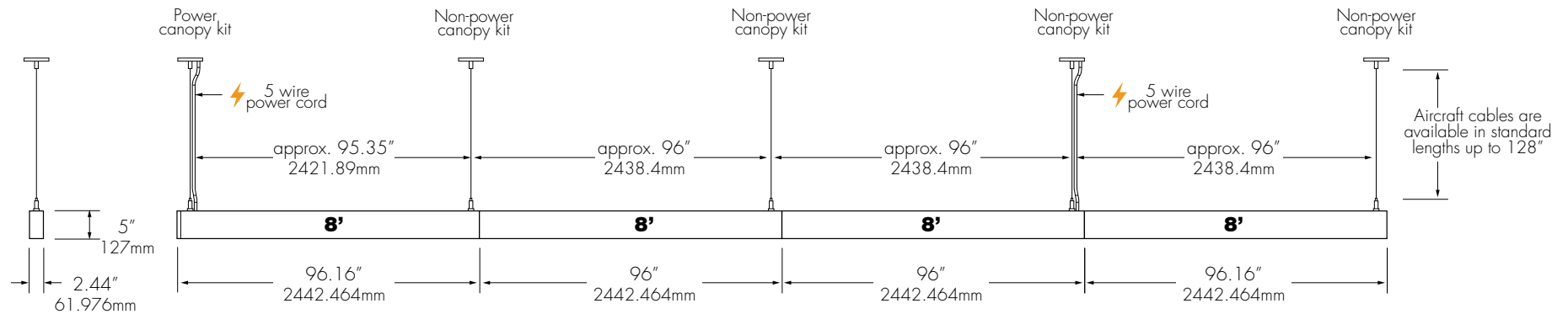
CLIENT _____

PROJECT _____

TYPE _____

QUANTITY _____

ORDERING INFORMATION _____



- 8' First of Run
- Type 8B
- Type 8B
 - Type 8B / EM
(Battery Option)

- 8' Middle of Run
- Type 8B
- Type 8B
 - Type 8B / EM
(Battery Option)

- 8' Middle of Run
- Type 8B
- Type 8B
 - Type 8B / EM
(Battery Option)

- 8' End of Run
- Type 4C
- Type 8C
 - Type 8C / EM
(Battery Option)

Output Down _____ CCT Down _____

Output Up _____ CCT Up _____ Finish _____

info@getdeco.com
t: 310.366.6866
f: 310.366.6855

www.getdeco.com
800.613.DECO (3326)
© Copyright Deco Lighting, Inc. 2017

SUBMITTAL DRAWING 32' CONTINUOUS RUN - PENDANT

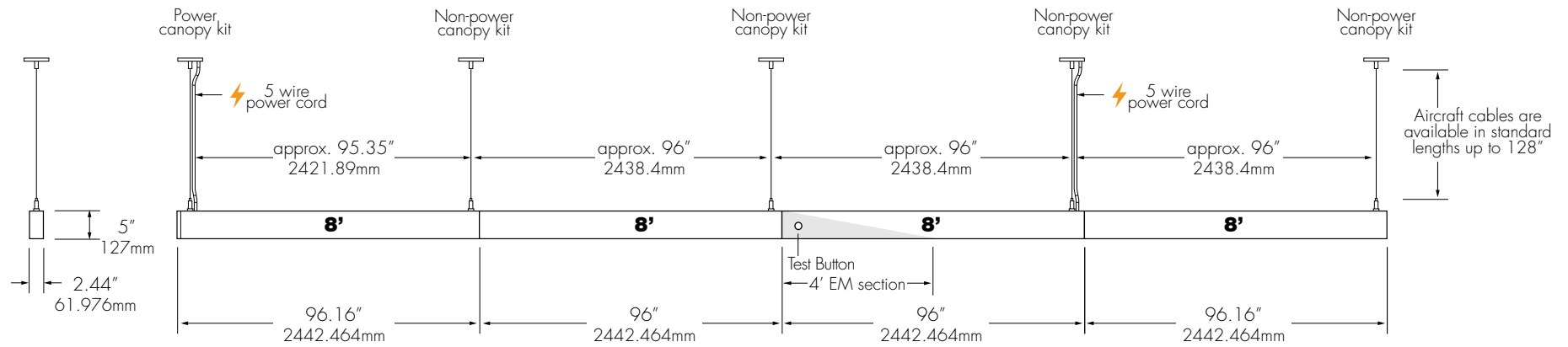
CLIENT _____

PROJECT _____

TYPE _____

QUANTITY _____

ORDERING INFORMATION _____



- 8' First of Run
- Type 8B
- Type 8B
 - Type 8B / EM (Battery Option)

- 8' Middle of Run
- Type 8B
- Type 8B
 - Type 8B / EM (Battery Option)

- 8' Middle of Run
- Type 8B/EM
- Type 8B
 - Type 8B / EM (Battery Option)

- 8' End of Run
- Type 4C
- Type 8C
 - Type 8C / EM (Battery Option)

Output Down _____ CCT Down _____

Output Up _____ CCT Up _____ Finish _____

info@getdeco.com
t: 310.366.6866
f: 310.366.6855

www.getdeco.com
800.613.DECO (3326)
© Copyright Deco Lighting, Inc. 2017

SUBMITTAL DRAWING 32' CONTINUOUS RUN - PENDANT

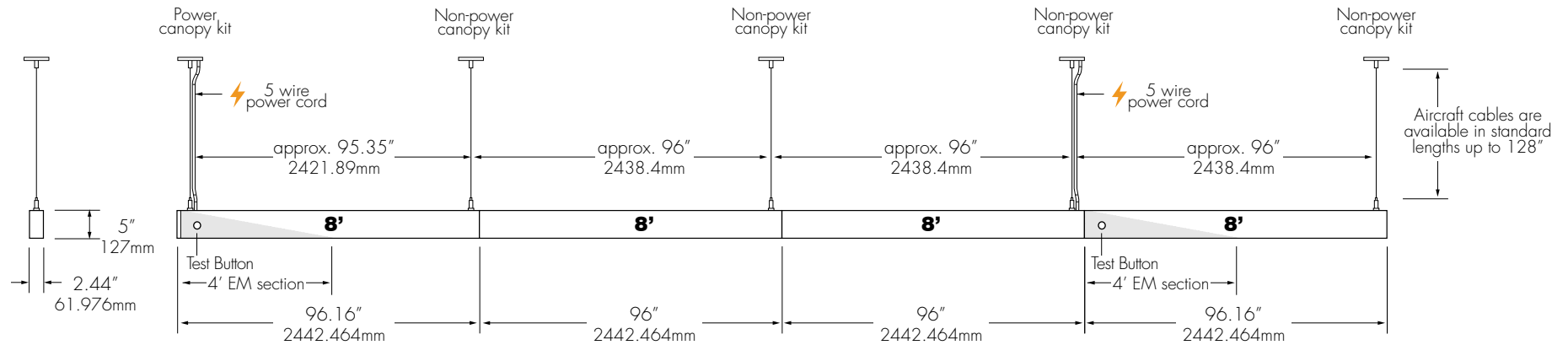
CLIENT _____

PROJECT _____

TYPE _____

QUANTITY _____

ORDERING INFORMATION _____



- 8' First of Run
- Type 8B/EM
- Type 8B
- Type 8B / EM
(Battery Option)

- 8' Middle of Run
- Type 8B
- Type 8B
- Type 8B / EM
(Battery Option)

- 8' Middle of Run
- Type 8B
- Type 8B
- Type 8B / EM
(Battery Option)

- 8' End of Run
- Type 4C/EM
- Type 8C
- Type 8C / EM
(Battery Option)

Output Down _____ CCT Down _____

Output Up _____ CCT Up _____ Finish _____

info@getdeco.com
t: 310.366.6866
f: 310.366.6855

www.getdeco.com
800.613.DECO (3326)
© Copyright Deco Lighting, Inc. 2017

SUBMITTAL DRAWING 33' CONTINUOUS RUN - PENDANT

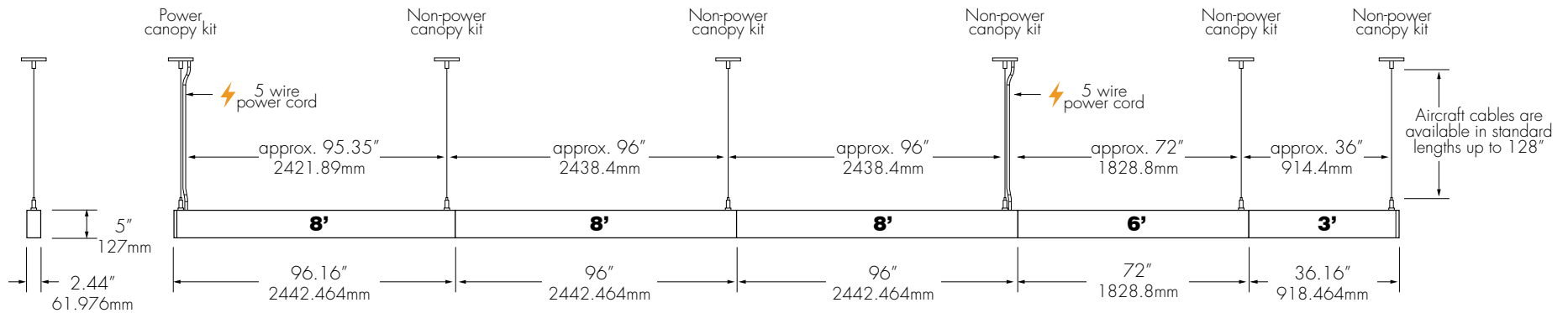
CLIENT _____

PROJECT _____

TYPE _____

QUANTITY _____

ORDERING INFORMATION _____



8' First of Run
- Type 8A

- Type 8A
- Type 8A / EM (Battery Option)

8' Middle of Run
- Type 8B

- Type 8B
- Type 8B / EM (Battery Option)

8' Middle of Run
- Type 8B

- Type 8B
- Type 8B / EM (Battery Option)

6' Middle of Run
- Type 6B

- Type 6B
- Type 6B / EM (Battery Option)

3' End of Run
- Type 3C

- Type 3C
- Type 3C / EM (Battery Option)

Output Down _____ CCT Down _____

Output Up _____ CCT Up _____ Finish _____

info@getdeco.com
t: 310.366.6866
f: 310.366.6855

www.getdeco.com
800.613.DECO (3326)
© Copyright Deco Lighting, Inc. 2017

SUBMITTAL DRAWING 34' CONTINUOUS RUN - PENDANT

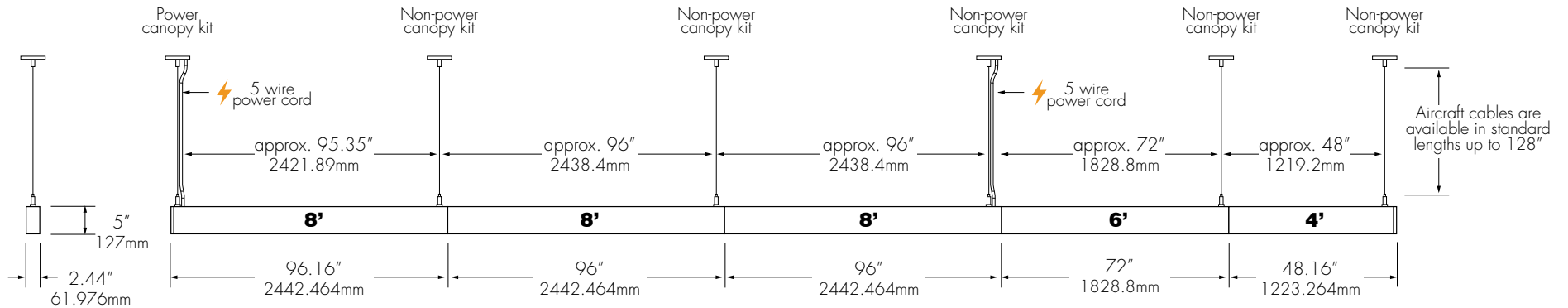
CLIENT _____

PROJECT _____

TYPE _____

QUANTITY _____

ORDERING INFORMATION _____



8' First of Run
- Type 8A

- Type 8A
- Type 8A / EM
(Battery Option)

8' Middle of Run
- Type 8B

- Type 8B
- Type 8B / EM
(Battery Option)

8' Middle of Run
- Type 8B

- Type 8B
- Type 8B / EM
(Battery Option)

6' Middle of Run
- Type 6B

- Type 6B
- Type 6B / EM
(Battery Option)

4' End of Run
- Type 4C

- Type 4C
- Type 4C / EM
(Battery Option)

Output Down _____ CCT Down _____

Output Up _____ CCT Up _____ Finish _____

info@getdeco.com
t: 310.366.6866
f: 310.366.6855

www.getdeco.com
800.613.DECO (3326)
© Copyright Deco Lighting, Inc. 2017

SUBMITTAL DRAWING 35' CONTINUOUS RUN - PENDANT

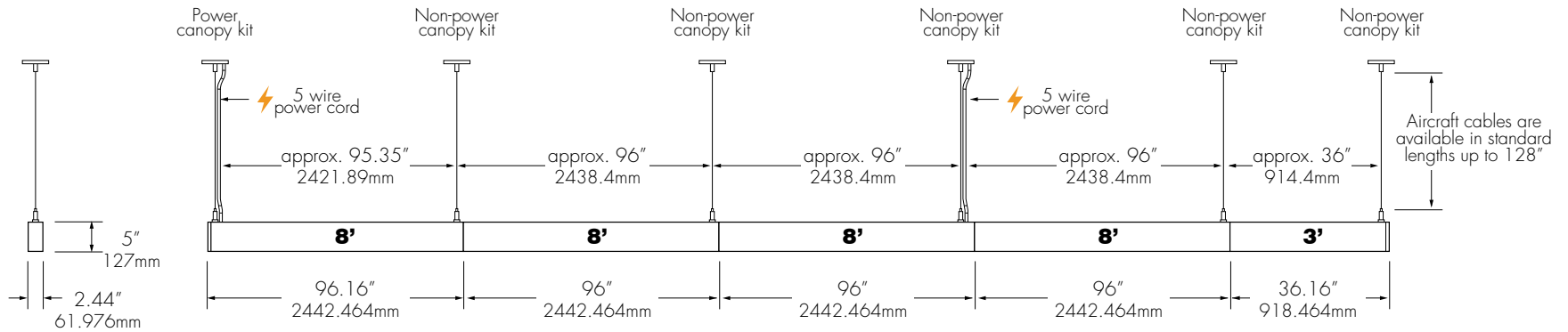
CLIENT _____

PROJECT _____

TYPE _____

QUANTITY _____

ORDERING INFORMATION _____



8' First of Run
- Type 8A

Type 8A

Type 8A / EM
(Battery Option)

8' Middle of Run
- Type 8B

Type 8B

Type 8B / EM
(Battery Option)

8' Middle of Run
- Type 8B

Type 8B

Type 8B / EM
(Battery Option)

8' Middle of Run
- Type 8B

Type 8B

Type 8B / EM
(Battery Option)

3' End of Run
- Type 3C

Type 3C

Type 3C / EM
(Battery Option)

Output Down _____

CCT Down _____

Output Up _____

CCT Up _____

Finish _____

info@getdeco.com
t: 310.366.6866
f: 310.366.6855

www.getdeco.com
800.613.DECO (3326)
© Copyright Deco Lighting, Inc. 2017

SUBMITTAL DRAWING 36' CONTINUOUS RUN - PENDANT

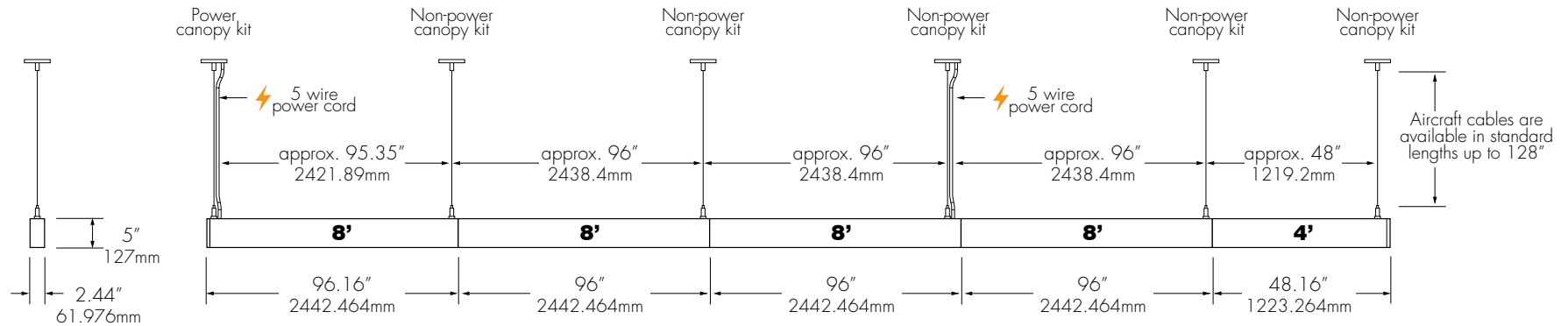
CLIENT _____

PROJECT _____

TYPE _____

QUANTITY _____

ORDERING INFORMATION _____



8' First of Run
- Type 8A

- Type 8A
- Type 8A / EM
(Battery Option)

8' Middle of Run
- Type 8B

- Type 8B
- Type 8B / EM
(Battery Option)

8' Middle of Run
- Type 8B

- Type 8B
- Type 8B / EM
(Battery Option)

8' Middle of Run
- Type 8B

- Type 8B
- Type 8B / EM
(Battery Option)

4' End of Run
- Type 4C

- Type 4C
- Type 4C / EM
(Battery Option)

Output Down _____ CCT Down _____

Output Up _____ CCT Up _____ Finish _____

info@getdeco.com
t: 310.366.6866
f: 310.366.6855

www.getdeco.com
800.613.DECO (3326)
© Copyright Deco Lighting, Inc. 2017

SUBMITTAL DRAWING 37' CONTINUOUS RUN - PENDANT

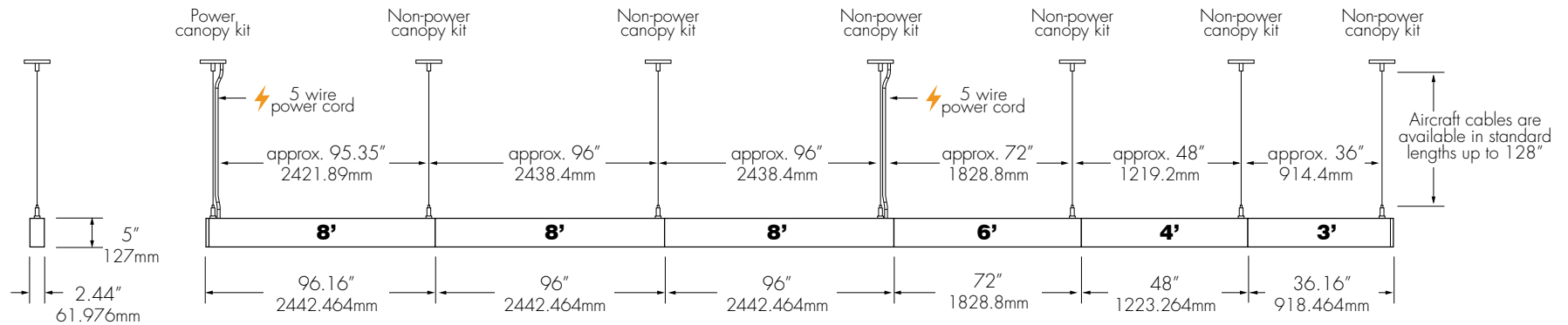
CLIENT _____

PROJECT _____

TYPE _____

QUANTITY _____

ORDERING INFORMATION _____



8' First of Run
- Type 8A

Type 8A

Type 8A / EM
(Battery Option)

8' Middle of Run
- Type 8B

Type 8B

Type 8B / EM
(Battery Option)

8' Middle of Run
- Type 8B

Type 8B

Type 8B / EM
(Battery Option)

6' Middle of Run
- Type 6B

Type 6B

Type 6B / EM
(Battery Option)

4' Middle of Run
- Type 4B

Type 4B

Type 4B / EM
(Battery Option)

3' End of Run
- Type 3C

Type 3C

Type 3C / EM
(Battery Option)

Output Down _____

CCT Down _____

Output Up _____

CCT Up _____

Finish _____

info@getdeco.com
t: 310.366.6866
f: 310.366.6855

www.getdeco.com
800.613.DECO (3326)
© Copyright Deco Lighting, Inc. 2017

SUBMITTAL DRAWING 38' CONTINUOUS RUN - PENDANT

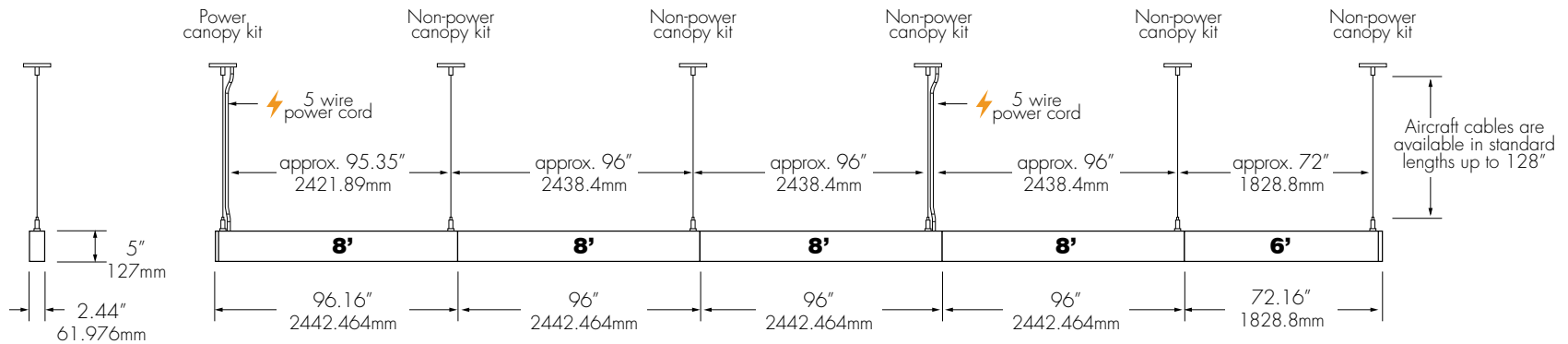
CLIENT _____

PROJECT _____

TYPE _____

QUANTITY _____

ORDERING INFORMATION _____



8' First of Run
- Type 8A

Type 8A

Type 8A / EM
(Battery Option)

8' Middle of Run
- Type 8B

Type 8B

Type 8B / EM
(Battery Option)

8' Middle of Run
- Type 8B

Type 8B

Type 8B / EM
(Battery Option)

8' Middle of Run
- Type 8B

Type 8B

Type 8B / EM
(Battery Option)

6' End of Run
- Type 6C

Type 6C

Type 6C / EM
(Battery Option)

Output Down _____

CCT Down _____

Output Up _____

CCT Up _____

Finish _____

info@getdeco.com
t: 310.366.6866
f: 310.366.6855

www.getdeco.com
800.613.DECO (3326)
© Copyright Deco Lighting, Inc. 2017

SUBMITTAL DRAWING 39' CONTINUOUS RUN - PENDANT

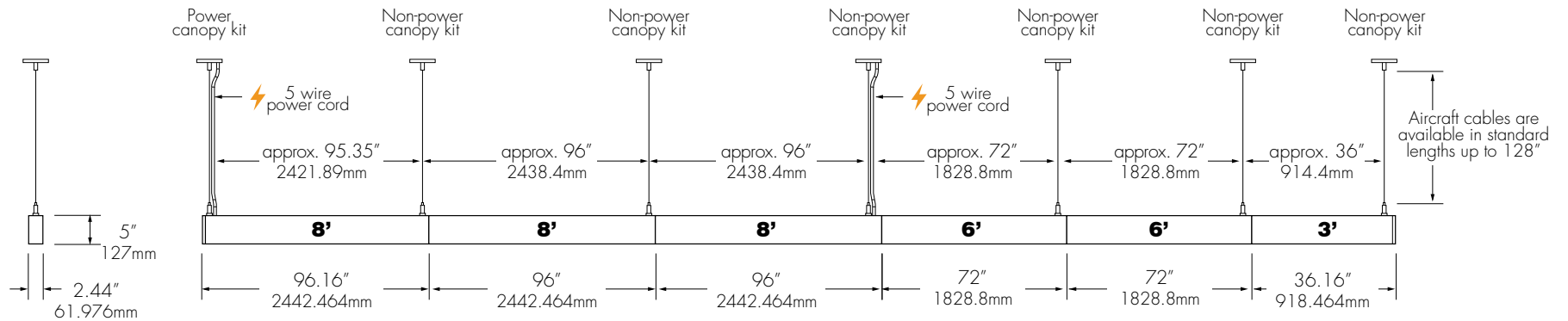
CLIENT _____

PROJECT _____

TYPE _____

QUANTITY _____

ORDERING INFORMATION _____



8' First of Run
- Type 8A

Type 8A

Type 8A / EM
(Battery Option)

8' Middle of Run
- Type 8B

Type 8B

Type 8B / EM
(Battery Option)

8' Middle of Run
- Type 8B

Type 8B

Type 8B / EM
(Battery Option)

6' Middle of Run
- Type 6B

Type 6B

Type 6B / EM
(Battery Option)

6' Middle of Run
- Type 6B

Type 6B

Type 6B / EM
(Battery Option)

3' End of Run
- Type 3C

Type 3C

Type 3C / EM
(Battery Option)

Output Down _____

CCT Down _____

Output Up _____

CCT Up _____

Finish _____

info@getdeco.com
t: 310.366.6866
f: 310.366.6855

www.getdeco.com
800.613.DECO (3326)
© Copyright Deco Lighting, Inc. 2017

SUBMITTAL DRAWING 40' CONTINUOUS RUN - PENDANT

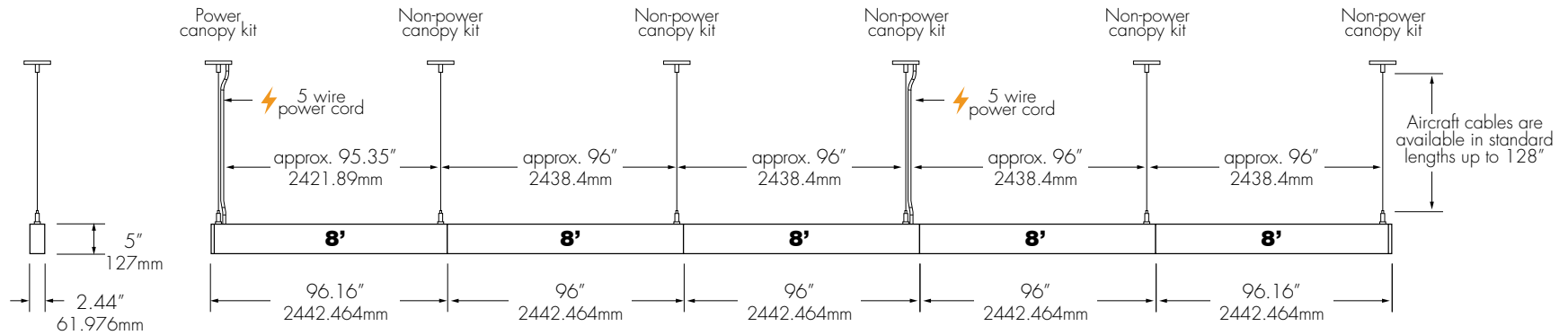
CLIENT _____

PROJECT _____

TYPE _____

QUANTITY _____

ORDERING INFORMATION _____



8' First of Run
- Type 8A

Type 8A

Type 8A / EM
(Battery Option)

8' Middle of Run
- Type 8B

Type 8B

Type 8B / EM
(Battery Option)

8' Middle of Run
- Type 8B

Type 8B

Type 8B / EM
(Battery Option)

8' Middle of Run
- Type 8B

Type 8B

Type 8B / EM
(Battery Option)

8' End of Run
- Type 8C

Type 8C

Type 8C / EM
(Battery Option)

Output Down _____

CCT Down _____

Output Up _____

CCT Up _____

Finish _____

info@getdeco.com
t: 310.366.6866
f: 310.366.6855

www.getdeco.com
800.613.DECO (3326)
© Copyright Deco Lighting, Inc. 2017

SUBMITTAL DRAWING 40' CONTINUOUS RUN - PENDANT

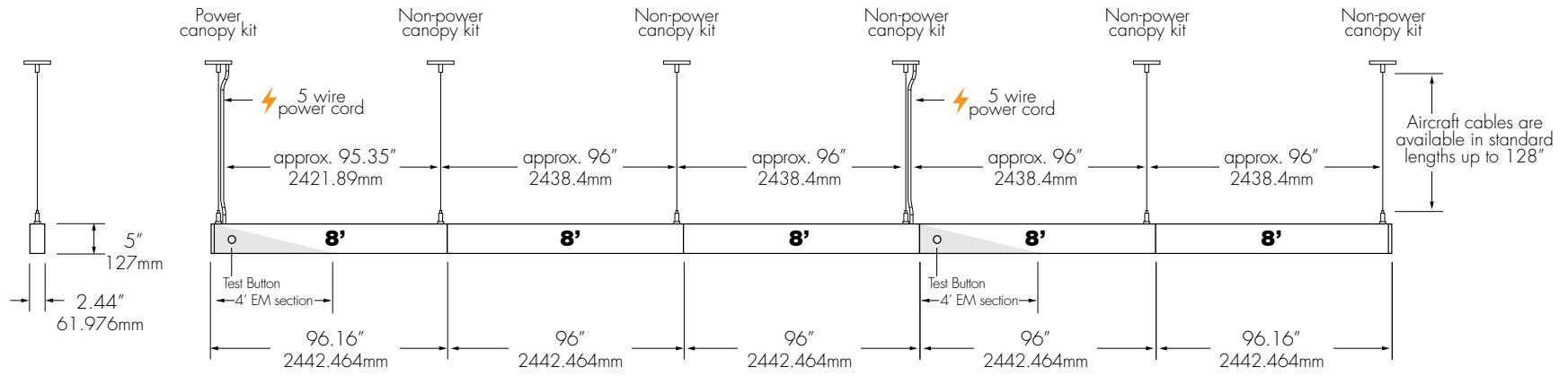
CLIENT _____

PROJECT _____

TYPE _____

QUANTITY _____

ORDERING INFORMATION _____



8' First of Run
- Type 8A/EM

Type 8A

Type 8A / EM
(Battery Option)

8' Middle of Run
- Type 8B

Type 8B

Type 8B / EM
(Battery Option)

8' Middle of Run
- Type 8B

Type 8B

Type 8B / EM
(Battery Option)

8' Middle of Run
- Type 8B/EM

Type 8B

Type 8B / EM
(Battery Option)

8' End of Run
- Type 8C

Type 8C

Type 8C / EM
(Battery Option)

Output Down _____

CCT Down _____

Output Up _____

CCT Up _____

Finish _____

info@getdeco.com
t: 310.366.6866
f: 310.366.6855

www.getdeco.com
800.613.DECO (3326)
© Copyright Deco Lighting, Inc. 2017

SUBMITTAL DRAWING 41' CONTINUOUS RUN - PENDANT

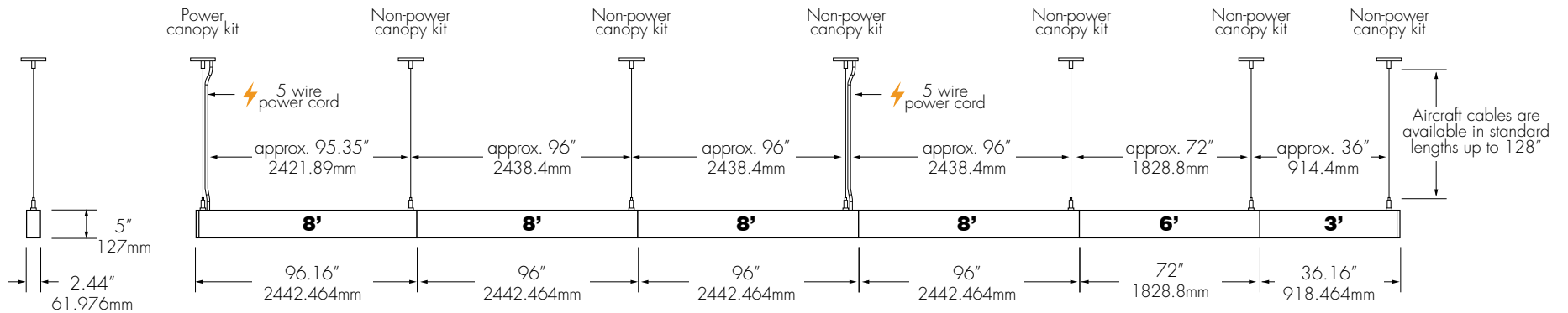
CLIENT _____

PROJECT _____

TYPE _____

QUANTITY _____

ORDERING INFORMATION _____



8' First of Run
- Type 8A

- Type 8A
- Type 8A / EM (Battery Option)

8' Middle of Run
- Type 8B

- Type 8B
- Type 8B / EM (Battery Option)

8' Middle of Run
- Type 8B

- Type 8B
- Type 8B / EM (Battery Option)

8' Middle of Run
- Type 8B

- Type 8B
- Type 8B / EM (Battery Option)

6' Middle of Run
- Type 6B

- Type 6B
- Type 6B / EM (Battery Option)

3' End of Run
- Type 3C

- Type 3C
- Type 3C / EM (Battery Option)

Output Down _____ CCT Down _____

Output Up _____ CCT Up _____ Finish _____

info@getdeco.com
t: 310.366.6866
f: 310.366.6855

www.getdeco.com
800.613.DECO (3326)
© Copyright Deco Lighting, Inc. 2017

SUBMITTAL DRAWING 42' CONTINUOUS RUN - PENDANT

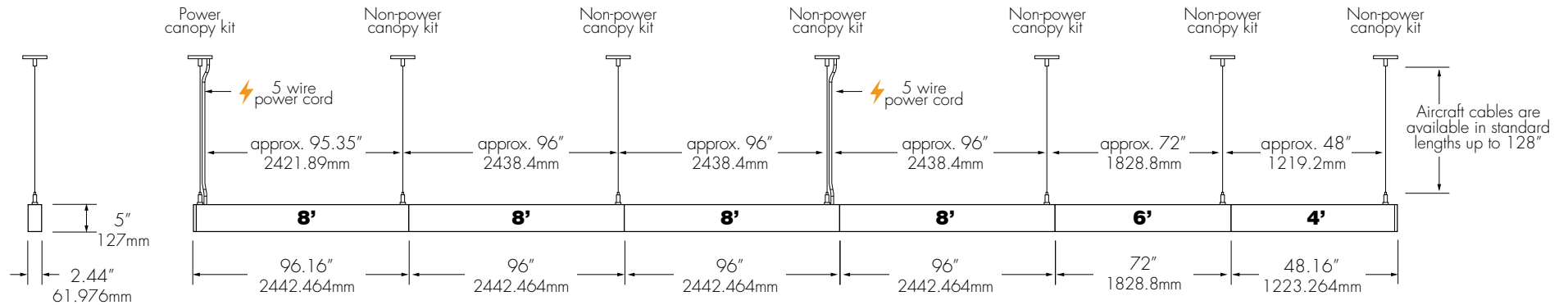
CLIENT _____

PROJECT _____

TYPE _____

QUANTITY _____

ORDERING INFORMATION _____



8' First of Run
- Type 8A

- Type 8A
- Type 8A / EM
(Battery Option)

8' Middle of Run
- Type 8B

- Type 8B
- Type 8B / EM
(Battery Option)

8' Middle of Run
- Type 8B

- Type 8B
- Type 8B / EM
(Battery Option)

8' Middle of Run
- Type 8B

- Type 8B
- Type 8B / EM
(Battery Option)

6' Middle of Run
- Type 6B

- Type 6B
- Type 6B / EM
(Battery Option)

4' End of Run
- Type 4C

- Type 4C
- Type 4C / EM
(Battery Option)

Output Down _____ CCT Down _____

Output Up _____ CCT Up _____ Finish _____

info@getdeco.com
t: 310.366.6866
f: 310.366.6855

www.getdeco.com
800.613.DECO (3326)
© Copyright Deco Lighting, Inc. 2017

SUBMITTAL DRAWING 43' CONTINUOUS RUN - PENDANT

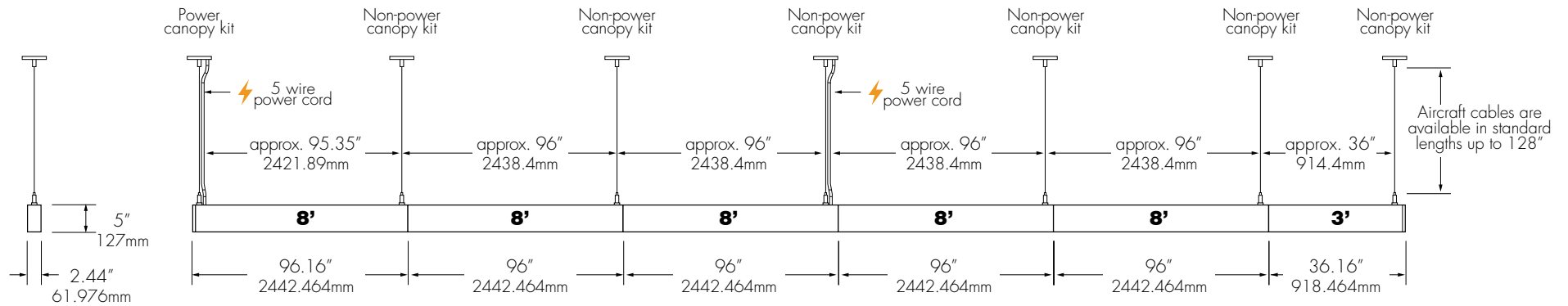
CLIENT _____

PROJECT _____

TYPE _____

QUANTITY _____

ORDERING INFORMATION _____



8' First of Run
- Type 8A

Type 8A

Type 8A / EM
(Battery Option)

8' Middle of Run
- Type 8B

Type 8B

Type 8B / EM
(Battery Option)

8' Middle of Run
- Type 8B

Type 8B

Type 8B / EM
(Battery Option)

8' Middle of Run
- Type 8B

Type 8B

Type 8B / EM
(Battery Option)

8' Middle of Run
- Type 8B

Type 8B

Type 8B / EM
(Battery Option)

3' End of Run
- Type 3C

Type 3C

Type 3C / EM
(Battery Option)

Output Down _____

CCT Down _____

Output Up _____

CCT Up _____

Finish _____

info@getdeco.com
t: 310.366.6866
f: 310.366.6855

www.getdeco.com
800.613.DECO (3326)
© Copyright Deco Lighting, Inc. 2017

SUBMITTAL DRAWING 44' CONTINUOUS RUN - PENDANT

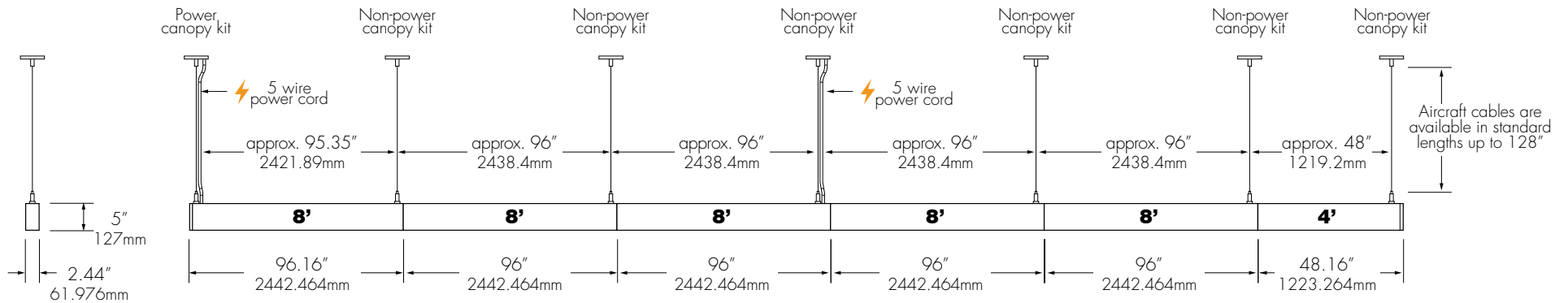
CLIENT _____

PROJECT _____

TYPE _____

QUANTITY _____

ORDERING INFORMATION _____



8' First of Run
- Type 8A

- Type 8A
- Type 8A / EM (Battery Option)

8' Middle of Run
- Type 8B

- Type 8B
- Type 8B / EM (Battery Option)

8' Middle of Run
- Type 8B

- Type 8B
- Type 8B / EM (Battery Option)

8' Middle of Run
- Type 8B

- Type 8B
- Type 8B / EM (Battery Option)

8' Middle of Run
- Type 8B

- Type 8B
- Type 8B / EM (Battery Option)

4' End of Run
- Type 3C

- Type 4C
- Type 4C / EM (Battery Option)

Output Down _____ CCT Down _____

Output Up _____ CCT Up _____ Finish _____

info@getdeco.com
t: 310.366.6866
f: 310.366.6855

www.getdeco.com
800.613.DECO (3326)
© Copyright Deco Lighting, Inc. 2017

SUBMITTAL DRAWING 44' CONTINUOUS RUN - PENDANT

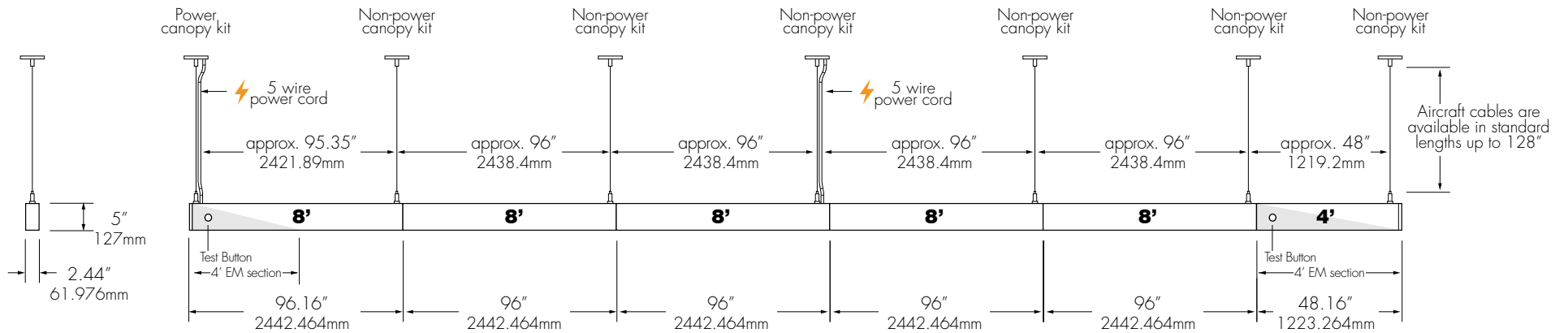
CLIENT _____

PROJECT _____

TYPE _____

QUANTITY _____

ORDERING INFORMATION _____



8' First of Run
- Type 8A/EM

- Type 8A
- Type 8A / EM
(Battery Option)

8' Middle of Run
- Type 8B

- Type 8B
- Type 8B / EM
(Battery Option)

8' Middle of Run
- Type 8B

- Type 8B
- Type 8B / EM
(Battery Option)

8' Middle of Run
- Type 8B

- Type 8B
- Type 8B / EM
(Battery Option)

8' Middle of Run
- Type 8B

- Type 8B
- Type 8B / EM
(Battery Option)

4' End of Run
- Type 3C

- Type 4C
- Type 4C / EM
(Battery Option)

Output Down _____ CCT Down _____

Output Up _____ CCT Up _____ Finish _____

info@getdeco.com
t: 310.366.6866
f: 310.366.6855

www.getdeco.com
800.613.DECO (3326)
© Copyright Deco Lighting, Inc. 2017

SUBMITTAL DRAWING 45' CONTINUOUS RUN - PENDANT

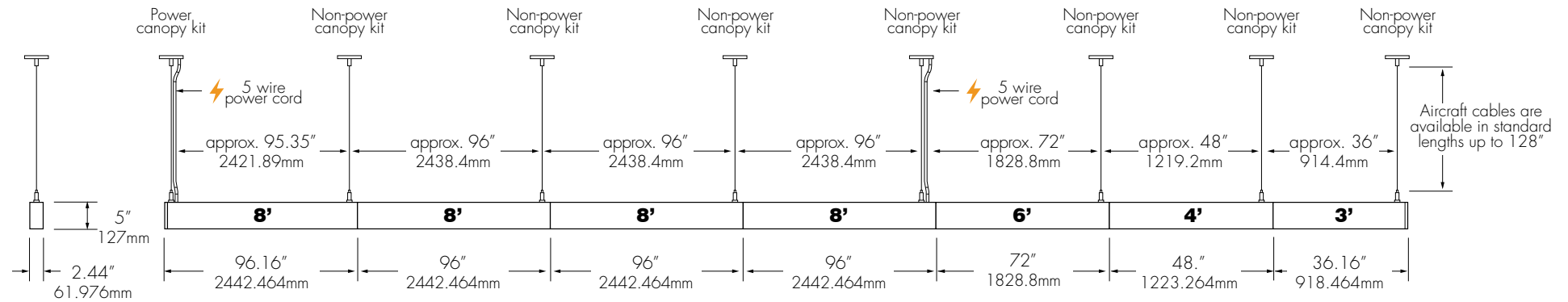
CLIENT _____

PROJECT _____

TYPE _____

QUANTITY _____

ORDERING INFORMATION _____



8' First of Run
- Type 8A

Type 8A

Type 8A / EM
(Battery Option)

8' Middle of Run
- Type 8B

Type 8B

Type 8B / EM
(Battery Option)

8' Middle of Run
- Type 8B

Type 8B

Type 8B / EM
(Battery Option)

8' Middle of Run
- Type 8B

Type 8B

Type 8B / EM
(Battery Option)

6' Middle of Run
- Type 6B

Type 6B

Type 6B / EM
(Battery Option)

4' Middle of Run
- Type 4B

Type 4B

Type 4B / EM
(Battery Option)

3' End of Run
- Type 3C

Type 3C

Type 3C / EM
(Battery Option)

Output Down _____

CCT Down _____

Output Up _____

CCT Up _____

Finish _____

info@getdeco.com
t: 310.366.6866
f: 310.366.6855

www.getdeco.com
800.613.DECO (3326)
© Copyright Deco Lighting, Inc. 2017

SUBMITTAL DRAWING 46' CONTINUOUS RUN - PENDANT

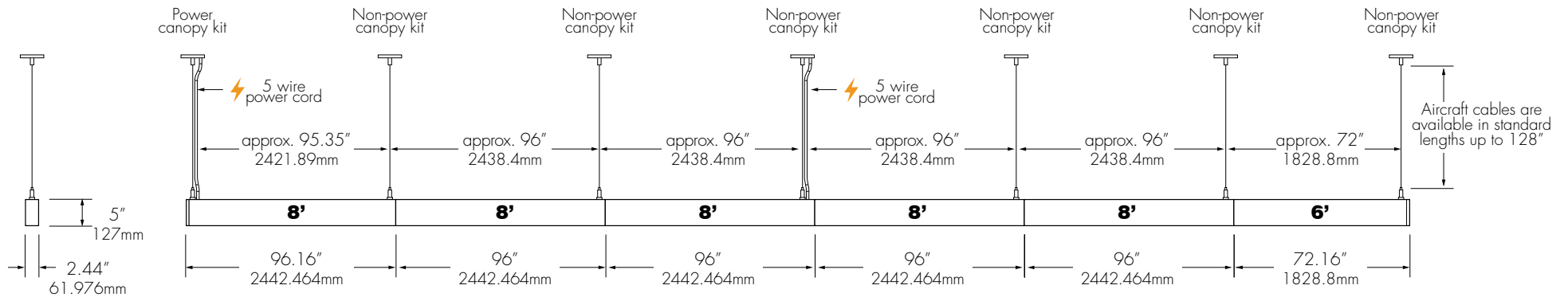
CLIENT _____

PROJECT _____

TYPE _____

QUANTITY _____

ORDERING INFORMATION _____



8' First of Run
- Type 8A

Type 8A

Type 8A / EM
(Battery Option)

8' Middle of Run
- Type 8B

Type 8B

Type 8B / EM
(Battery Option)

8' Middle of Run
- Type 8B

Type 8B

Type 8B / EM
(Battery Option)

8' Middle of Run
- Type 8B

Type 8B

Type 8B / EM
(Battery Option)

8' Middle of Run
- Type 8B

Type 8B

Type 8B / EM
(Battery Option)

6' End of Run
- Type 6C

Type 6C

Type 6C / EM
(Battery Option)

Output Down _____

CCT Down _____

Output Up _____

CCT Up _____

Finish _____

info@getdeco.com
t: 310.366.6866
f: 310.366.6855

www.getdeco.com
800.613.DECO (3326)
© Copyright Deco Lighting, Inc. 2017

SUBMITTAL DRAWING 47' CONTINUOUS RUN - PENDANT

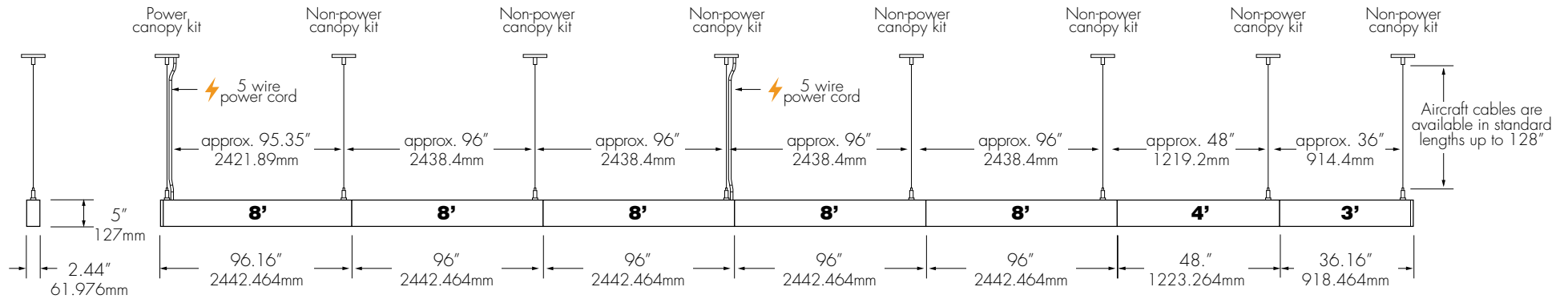
CLIENT _____

PROJECT _____

TYPE _____

QUANTITY _____

ORDERING INFORMATION _____



8' First of Run - Type 8A	8' Middle of Run - Type 8B	8' Middle of Run - Type 8B	8' Middle of Run - Type 8B	8' Middle of Run - Type 8B	4' Middle of Run - Type 4B	3' End of Run - Type 3C
<input type="checkbox"/> Type 8A	<input type="checkbox"/> Type 8B	<input type="checkbox"/> Type 8B	<input type="checkbox"/> Type 8B	<input type="checkbox"/> Type 8B	<input type="checkbox"/> Type 4B	<input type="checkbox"/> Type 3C
<input type="checkbox"/> Type 8A / EM (Battery Option)	<input type="checkbox"/> Type 8B / EM (Battery Option)	<input type="checkbox"/> Type 8B / EM (Battery Option)	<input type="checkbox"/> Type 8B / EM (Battery Option)	<input type="checkbox"/> Type 8B / EM (Battery Option)	<input type="checkbox"/> Type 4B / EM (Battery Option)	<input type="checkbox"/> Type 3C / EM (Battery Option)

Output Down _____ CCT Down _____

Output Up _____ CCT Up _____ Finish _____

info@getdeco.com
t: 310.366.6866
f: 310.366.6855

www.getdeco.com
800.613.DECO (3326)
© Copyright Deco Lighting, Inc. 2017

SUBMITTAL DRAWING 48' CONTINUOUS RUN - PENDANT

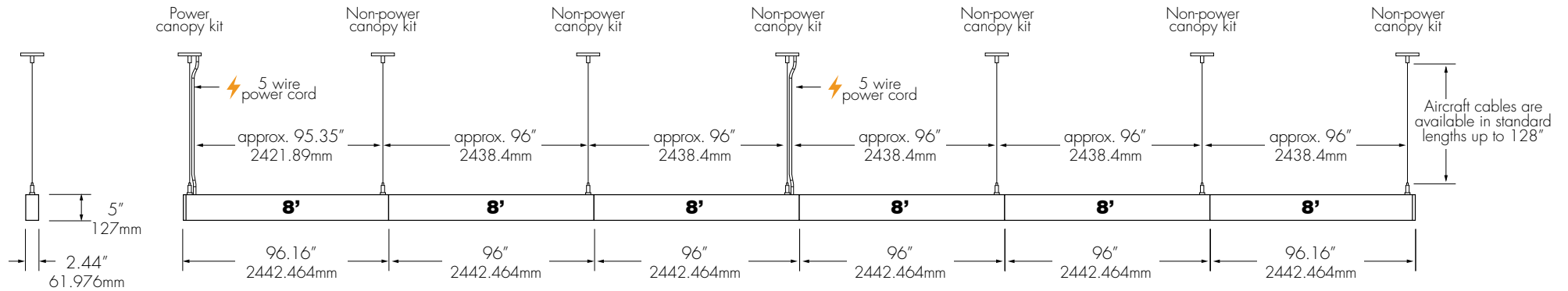
CLIENT _____

PROJECT _____

TYPE _____

QUANTITY _____

ORDERING INFORMATION _____



8' First of Run
- Type 8A

- Type 8A
- Type 8A / EM (Battery Option)

8' Middle of Run
- Type 8B

- Type 8B
- Type 8B / EM (Battery Option)

8' Middle of Run
- Type 8B

- Type 8B
- Type 8B / EM (Battery Option)

8' Middle of Run
- Type 8B

- Type 8B
- Type 8B / EM (Battery Option)

8' Middle of Run
- Type 8B

- Type 8B
- Type 8B / EM (Battery Option)

8' End of Run
- Type 8C

- Type 8C
- Type 8C / EM (Battery Option)

Output Down _____

CCT Down _____

Output Up _____

CCT Up _____

Finish _____

info@getdeco.com
t: 310.366.6866
f: 310.366.6855

www.getdeco.com
800.613.DECO (3326)
© Copyright Deco Lighting, Inc. 2017

SUBMITTAL DRAWING 49' CONTINUOUS RUN - PENDANT

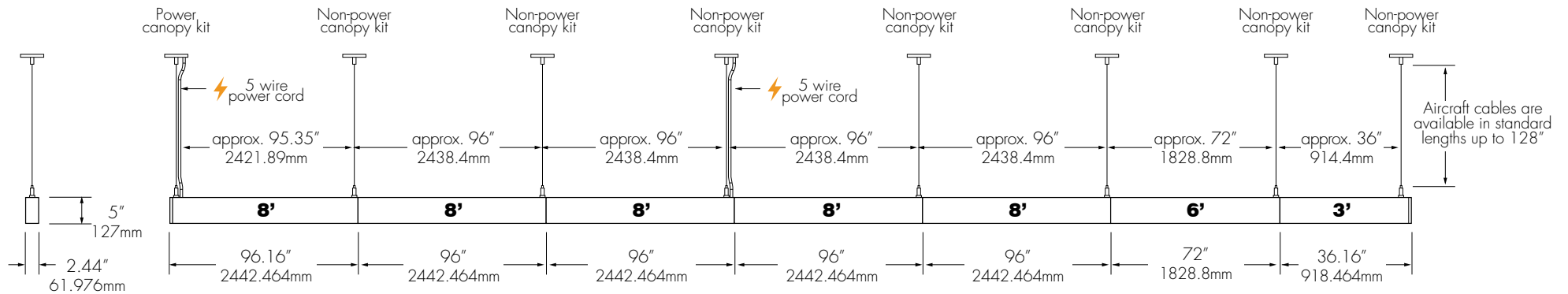
CLIENT _____

PROJECT _____

TYPE _____

QUANTITY _____

ORDERING INFORMATION _____



8' First of Run
- Type 8A

Type 8A

Type 8A / EM
(Battery Option)

8' Middle of Run
- Type 8B

Type 8B

Type 8B / EM
(Battery Option)

8' Middle of Run
- Type 8B

Type 8B

Type 8B / EM
(Battery Option)

8' Middle of Run
- Type 8B

Type 8B

Type 8B / EM
(Battery Option)

8' Middle of Run
- Type 8B

Type 8B

Type 8B / EM
(Battery Option)

6' Middle of Run
- Type 6B

Type 6B

Type 6B / EM
(Battery Option)

3' End of Run
- Type 3C

Type 3C

Type 3C / EM
(Battery Option)

Output Down _____

CCT Down _____

Output Up _____

CCT Up _____

Finish _____

info@getdeco.com
t: 310.366.6866
f: 310.366.6855

www.getdeco.com
800.613.DECO (3326)
© Copyright Deco Lighting, Inc. 2017

SUBMITTAL DRAWING 50' CONTINUOUS RUN - PENDANT

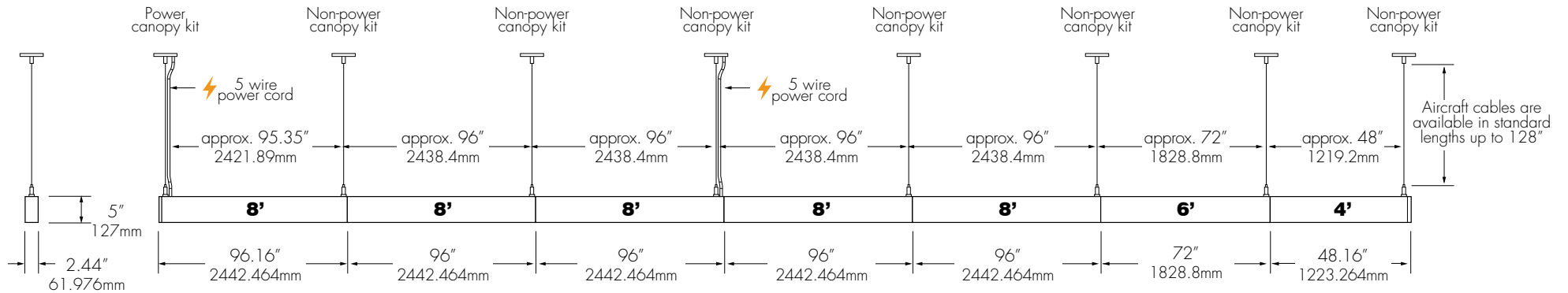
CLIENT _____

PROJECT _____

TYPE _____

QUANTITY _____

ORDERING INFORMATION _____



8' First of Run
- Type 8A

Type 8A

Type 8A / EM
(Battery Option)

8' Middle of Run
- Type 8B

Type 8B

Type 8B / EM
(Battery Option)

8' Middle of Run
- Type 8B

Type 8B

Type 8B / EM
(Battery Option)

8' Middle of Run
- Type 8B

Type 8B

Type 8B / EM
(Battery Option)

8' Middle of Run
- Type 8B

Type 8B

Type 8B / EM
(Battery Option)

6' Middle of Run
- Type 6B

Type 6B

Type 6B / EM
(Battery Option)

4' End of Run
- Type 3C

Type 4C

Type 4C / EM
(Battery Option)

Output Down _____

CCT Down _____

Output Up _____

CCT Up _____

Finish _____

info@getdeco.com
t: 310.366.6866
f: 310.366.6855

www.getdeco.com
800.613.DECO (3326)
© Copyright Deco Lighting, Inc. 2017