



DECO | LIGHTING

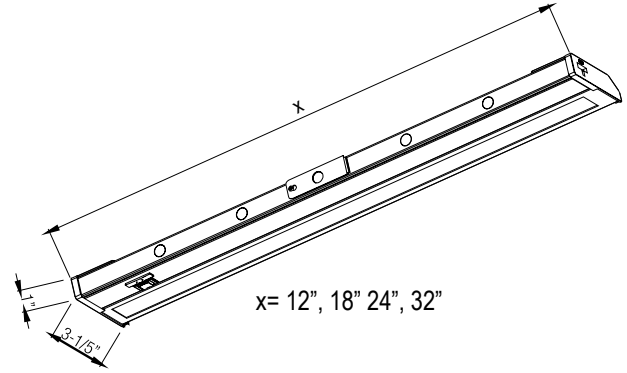
DUC-LED

Agilis Under Cabinet



Job Information

Type:	
Catalog #:	
Project:	
Comments:	
Prepared by:	



Description

With its low-profile design, this powerful and LED under cabinet fixture hides better than conventional under cabinet lights, producing bright dimmable white light that lasts 50 times longer than Halogen. The AGILIS features a frosted tempered glass lens that diffuses light evenly as well as a magnetic lens closure that secures the cover without clips, which can bend and break.

Features

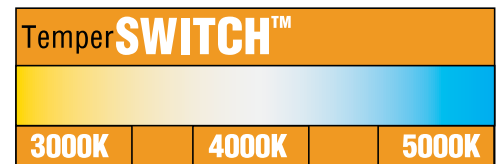
- TemperSWITCH allows for interchangeable color temperatures 3000K, 4000K, 5000K
- Low profile design hides better than conventional under cabinet lights
- Bright dimmable white light
- Convenient High/Low rocker switch
- LED technology lasts 50 times longer than Halogen
- Frosted tempered glass lens diffuses light evenly
- Magnetic lens closure secures cover without clips that can bend or break.
- Full length reflector optimizes light output
- Tool-free access to wiring compartment
- Easy installation
- Regular 120V line voltage dimming
- Includes:
 - 1 7" jumper for connections between fixtures
 - 6' cord and plug
 - 1 end to end connector
 - 1 conduit adapter for hardwire connection

Ordering Information

Example: (DUC-LED-12-MCT-120-W)

DUC-LED [] [] [] [] []

Series	Size	Color Temp.	Voltage	Finish
Agilis	12 12"	MCT Multi Color Temp.	120 120V	W White
	18 18"			
	24 24"			
	32 32"			



*12" = 5W (300 lumens),
 18" = 8W (450 lumens),
 24" = 12W (900 lumens),
 32" = 16W (1050 lumens)

Deco Lighting practices a program of continuous product development, and as a result product specifications change frequently. We reserve the right to change product specifications without notice. Contact Deco for the latest product information.

©2016 Deco Lighting, www.getdeco.com T: (800) 613-DECO F: (310) 366-6855
 Rev Date: 7/18/16 #1



Digitize your light.®